



PLANNING- AND INSTALLATION MANUAL

Steam humidifier
Condair EL

Thank you for choosing Condair

Installation date (MM/DD/YYYY):

Commissioning date (MM/DD/YYYY):

Site:

Model:

Serial number:

Proprietary Notice

This document and the information disclosed herein are proprietary data of Condair Group AG. Neither this document, nor the information contained herein shall be reproduced, used, or disclosed to others without the written authorisation of Condair Group AG, except to the extent required for installation or maintenance of recipient's equipment.

Liability Notice

Condair Group AG does not accept any liability due to incorrect installation or operation of the equipment or due to the use of parts/components/equipment that are not authorised by Condair Group AG.

Copyright Notice

© Condair Group AG All rights reserved.

Technical modifications reserved

Contents

1	Introduction	5
1.1	To the very beginning	5
1.2	Notes on the installation manual	5
2	For your safety	7
3	Product Overview	9
3.1	Calculating the maximum required steam capacity	9
3.2	Models overview	10
3.2.1	Single units Small ("S"), EL 5...15 and Medium ("M"), EL 20...45	10
3.2.2	Single units Large ("L"), EL 50...90	11
3.2.3	Double units (2 x "M"), EL 35...90	12
3.2.4	Linkup systems (3 x "M"), EL 70...135	13
3.2.5	Linkup systems (4 x "M"), EL 105...180	14
3.3	Product designation	15
3.4	Options	17
3.4.1	Option details	18
3.5	Accessories	19
3.5.1	Accessory details	20
3.5.1.1	DV41-..., DV61-... and DV81-... steam distribution pipes	20
3.5.1.2	OptiSorp steam distribution system	21
3.5.1.3	Blower pack	22
4	Receiving and storage	23
4.1	Inspection	23
4.2	Storage and Transportation	24
5	Mounting and installation work	25
5.1	Safety notes on mounting and installation work	25
5.2	Installation overviews	26
5.3	Mounting the unit	28
5.3.1	Notes on locating the unit	28
5.3.2	Mounting the humidifier	30
5.3.3	Inspecting the installed unit	32
5.4	Steam installation	33
5.4.1	Overview steam installation for duct humidification	33
5.4.2	Positioning of the steam distributor	35
5.4.3	Installing the steam distributors	40
5.4.4	Positioning and mounting of the blower packs (accessory BP)	41
5.4.5	Installing the steam and condensate lines	42
5.4.6	Common steam and condensate line errors	46
5.4.7	Inspecting the steam installation	47
5.5	Water installation	48
5.5.1	Overview water installation	48
5.5.2	Notes on water installation	50
5.5.3	Inspecting the water installation	51

5.6	Notes on humidity control systems/humidity control	52
5.6.1	System 1 – Room humidity control	52
5.6.2	System 2 – Room humidity control with continuous limitation of the supply air humidity	52
5.6.3	System 3 – Supply air humidity control with continuous output limitation	53
5.6.4	Which humidity control system for which application	53
5.6.5	Admissible control signals	54
5.7	Electrical installation	55
5.7.1	Notes on electrical installation	55
5.7.2	Wiring diagram Condair EL 5...45 - Single units "S" and "M"	56
5.7.3	Wiring diagram Condair EL 50...90 - Single units "L"	57
5.7.4	Wiring diagram Condair EL 35...90 - Double units 2 x "M"	58
5.7.5	Wiring diagram EL 70...180 - Linkup systems 3 x "M" or 4 x "M"	59
5.7.6	Installation work external connections	61
5.7.7	Inspecting the electrical installation	69
6	Product specification	70
6.1	Performance data / Fuses "F5" heating voltage supply	70
6.2	Operating data	72
6.3	Connections/Dimensions/Weights	72
6.4	Certificates	72
7	Appendix	73
7.1	Unit dimensions	73
7.1.1	Unit dimensions Condair EL 5 - 15, unit size "S"	73
7.1.2	Unit dimensions Condair EL 20 - 45 and 35 - 180, unit size "M"	74
7.1.3	Unit dimensions Condair EL 50 - 90, unit size "L"	75
7.2	EC Declaration of conformity	76
7.3	h,x diagram	77

1 Introduction

1.1 To the very beginning

We thank you for having purchased the **Condair EL steam humidifier**.

The Condair EL steam humidifier incorporates the latest technical advances and meets all recognized safety standards. Nevertheless, improper use of the Condair EL steam humidifier may result in danger to the user or third parties and/or damage to property.

To ensure a safe, proper, and economical operation of the Condair EL steam humidifier, please observe and comply with all information and safety instructions contained in the present documentation as well as in the separate documentations of the components installed in the humidification system.

If you have questions after reading this documentation, please contact your Condair representative. They will be glad to assist you.

1.2 Notes on the installation manual

Limitation

The subject of this installation manual is the Condair EL steam humidifier in its different versions. The various options and accessories are only described insofar as is necessary for proper operation of the equipment. Further information on options and accessories can be obtained in their respective instructions.

This installation manual is restricted to the **installation** of the Condair EL steam humidifier and is meant for **well trained personnel being sufficiently qualified for their respective work**.

This installation manual is supplemented by various separate items of documentation (operation manual, spare parts list, etc.), which are included in the delivery. Where necessary, appropriate cross-references are made to these publications in the installation manual.

Symbols used in this manual



CAUTION!

The catchword "CAUTION" used in conjunction with the caution symbol in the circle designates notes in this installation manual that, if neglected, may cause **damage and/or malfunction of the unit or damage to property**.



WARNING!

The catchword "WARNING" used in conjunction with the general caution symbol designates safety and danger notes in this installation manual that, if neglected, may cause **injury to persons**.



DANGER!

The catchword "DANGER" used in conjunction with the general caution symbol designates safety and danger notes in this installation manual that, if neglected, may lead to **severe injury or even death of persons**.

Safekeeping

Please safeguard this installation manual in a safe place, where it can be immediately accessed. If the equipment changes hands, the documentation must be passed on to the new operator.

If the documentation gets misplaced, please contact your Condair representative.

Language versions

This installation manual is available in other languages. Please contact your Condair representative for information.

2 For your safety

General

Every person, who is in charge of the installation work on the Condair EL must have read and understood this installation manual and the Condair EL operation manual before carrying out any work.

Knowing and understanding the contents of the installation manual and the operation manual is a basic requirement for protecting personnel against any kind of danger, to prevent faulty operation, and to operate the unit safely and correctly.

All icons, signs and markings applied to the Condair EL must be observed and kept in readable state.

Qualification of personnel

All installation work described in this installation manual **may only be carried out by specialists who are well trained and adequately qualified and are authorised by the customer.**

For safety and warranty reasons any action beyond the scope of this manual must be carried out only by qualified personnel authorised by the manufacturer.

It is assumed that all persons working with the Condair EL are familiar and comply with the appropriate regulations on work safety and the prevention of accidents.

Intended use

The Condair EL steam humidifier is intended exclusively for air humidification via a steam distributor or blower pack approved by Condair within specified operating conditions (see Condair EL operation manual). Any other type of application, without the written consent of Condair, is considered as not conforming with the intended purpose and may lead to dangerous operation and will void any warranty. Operation of the equipment in the intended manner requires **that all the information contained in this installation manual are observed (in particular the safety instructions).**

Danger that may arise from the Condair EL:



DANGER!
Danger of electric shock!

The Condair EL is mains powered. Live parts may be exposed when the unit is open. Touching live parts may cause severe injury or danger to life.

Prevention: The Condair EL must be connected to the mains only after all mounting and installation work has been completed, all installations have been checked for correct workmanship and the covers are closed and fastened properly.

Preventing unsafe operation

All persons working with the Condair EL are obliged to report any alterations to the unit that may affect safety to the owner without delay and to **secure the Condair EL against accidental power-up**.

Prohibited modifications to the unit

No modifications must be undertaken on the Condair EL without the express written consent of Condair.

For the replacement of defective components use exclusively **original accessories and spare parts** available from your Condair representative.

3 Product Overview

3.1 Calculating the maximum required steam capacity

The maximum required steam capacity must be calculated based on one of the following formulas:

$$m_D = \frac{V \cdot \rho}{1000} \cdot (x_2 - x_1) \quad \text{oder} \quad m_D = \frac{V}{1000 \cdot \varepsilon} \cdot (x_2 - x_1)$$

m_D : maximum steam demand in **kg/h**

V : volume of supply air portion per hour in **m³/h** (for indirect room humidification) or room volume to be humidified per hour in **m³/h** (for direct room humidification)

ρ : specific gravity of air in **kg/m³**

ε : specific volume of air in **m³/kg**

x_2 : desired absolute room air humidity in **g/kg**

x_1 : minimum absolute supply air humidity in **g/kg**

The values for ρ , ε , x_2 and x_1 can be gathered from the **h,x-diagram** or the **Carrier-Diagram** for moist air respectively.

3.2 Models overview

Condair EL steam humidifiers are available as **single units with different housing sizes (S, M and L)**, as **double units (2 x "M")** and as **Linkup systems (3 x "M" or 4 x "M")** with **different heating voltages and steam capacities ranging from 5 kg/h up to a maximum of 180 kg/h.**

3.2.1 Single units Small ("S"), EL 5...15 and Medium ("M"), EL 20...45

Housing size	Condair EL	200V/1~	230V/1~	240V/1~	200V/3~	230V/3~	400V/3~	415V/3~	440V/3~	460V/3~	480V/3~	500V/3~	600V/3~
		kg/h	kg/h	kg/h	kg/h	kg/h	kg/h	kg/h	kg/h	kg/h	kg/h	kg/h	kg/h
S	...5...	5.0	5.0	5.0	5.0	5.0	5.0	5.0	5.0	5.0	5.0	5.0	5.0
	...8...	8.0	8.0	8.0	8.0	8.0	8.0	8.0	8.0	8.0	8.0	8.0	8.0
	...10...	—	10.0	10.0	10.0	10.0	10.0	10.0	10.0	10.0	10.0	10.0	10.0
	...15...	—	—	—	15.0	15.0	15.0	15.0	15.0	15.0	15.0	15.0	15.0
M	...20...	—	—	—	20.0	20.0	20.0	20.0	20.0	20.0	20.0	20.0	20.0
	...24...	—	—	—	24.0	24.0	24.0	24.0	24.0	24.0	24.0	24.0	24.0
	...30...	—	—	—	30.0	30.0	30.0	30.0	30.0	30.0	30.0	30.0	30.0
	...35...	—	—	—	—	—	35.0	35.0	35.0	35.0	35.0	35.0	35.0
	...40...	—	—	—	—	—	40.0	40.0	40.0	40.0	40.0	40.0	40.0
	...45...	—	—	—	—	—	45.0	45.0	45.0	45.0	45.0	45.0	45.0

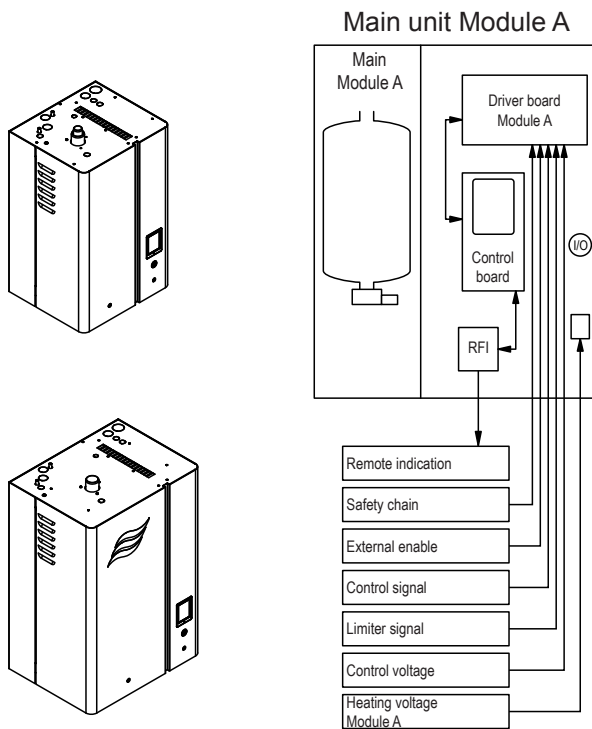


Fig. 1: Overview single units Small ("S") and Medium ("M")

3.2.2 Single units Large ("L"), EL 50...90

Housing size	Condairel EL	200V/1~	230V/1~	240V/1~	200V/3~	230V/3~	400V/3~	415V/3~	440V/3~	460V/3~	480V/3~	500V/3~	600V/3~
		kg/h	kg/h	kg/h	kg/h	kg/h	kg/h	kg/h	kg/h	kg/h	kg/h	kg/h	kg/h
L	...50...	—	—	—	—	—	50.0	50.0	—	—	—	—	—
	...60...	—	—	—	—	—	60.0	60.0	—	—	—	—	—
	...70...	—	—	—	—	—	70.0	70.0	—	—	—	—	—
	...80...	—	—	—	—	—	80.0	80.0	—	—	—	—	—
	...90...	—	—	—	—	—	90.0	90.0	—	—	—	—	—

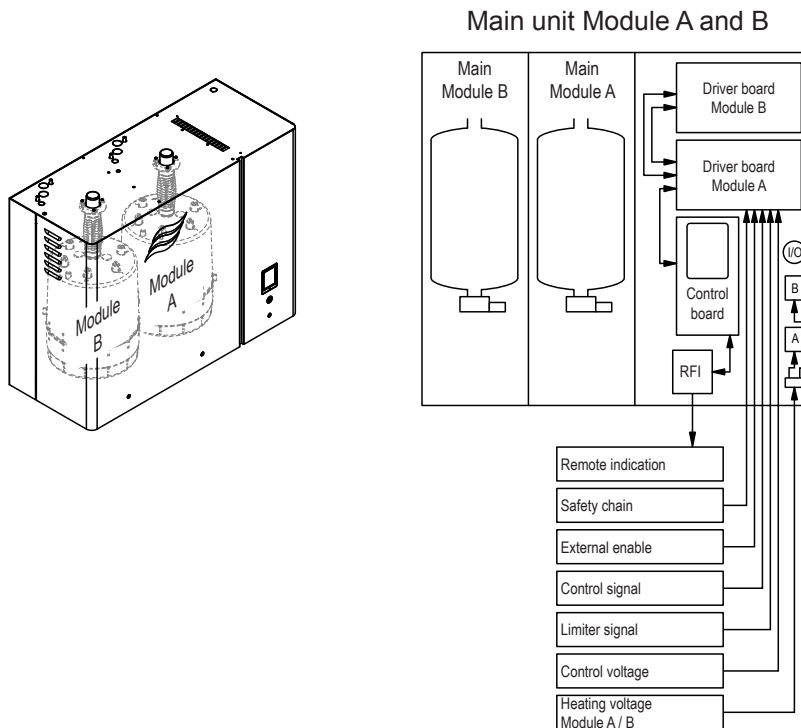


Fig. 2: Overview single units Large ("L")

3.2.3 Double units (2 x "M"), EL 35...90

Housing size	Condair EL	200V/1~	230V/1~	240V/1~	200V/3~	230V/3~	400V/3~	415V/3~	440V/3~	460V/3~	480V/3~	500V/3~	600V/3~
		kg/h	kg/h	kg/h	kg/h	kg/h	kg/h	kg/h	kg/h	kg/h	kg/h	kg/h	kg/h
2*M	...35...	—	—	—	2*17.5	2*17.5	—	—	—	—	—	—	—
	...40...	—	—	—	2*20.0	2*20.0	—	—	—	—	—	—	—
	...45...	—	—	—	2*22.5	2*22.5	—	—	—	—	—	—	—
	...50...	—	—	—	2*25.0	2*25.0	2*25.0	2*25.0	2*25.0	2*25.0	2*25.0	2*25.0	2*25.0
	...60...	—	—	—	2*30.0	2*30.0	2*30.0	2*30.0	2*30.0	2*30.0	2*30.0	2*30.0	2*30.0
	...70...	—	—	—	—	—	2*35.0	2*35.0	2*35.0	2*35.0	2*35.0	2*35.0	2*35.0
	...80...	—	—	—	—	—	2*40.0	2*40.0	2*40.0	2*40.0	2*40.0	2*40.0	2*40.0
	...90...	—	—	—	—	—	2*45.0	2*45.0	2*45.0	2*45.0	2*45.0	2*45.0	2*45.0

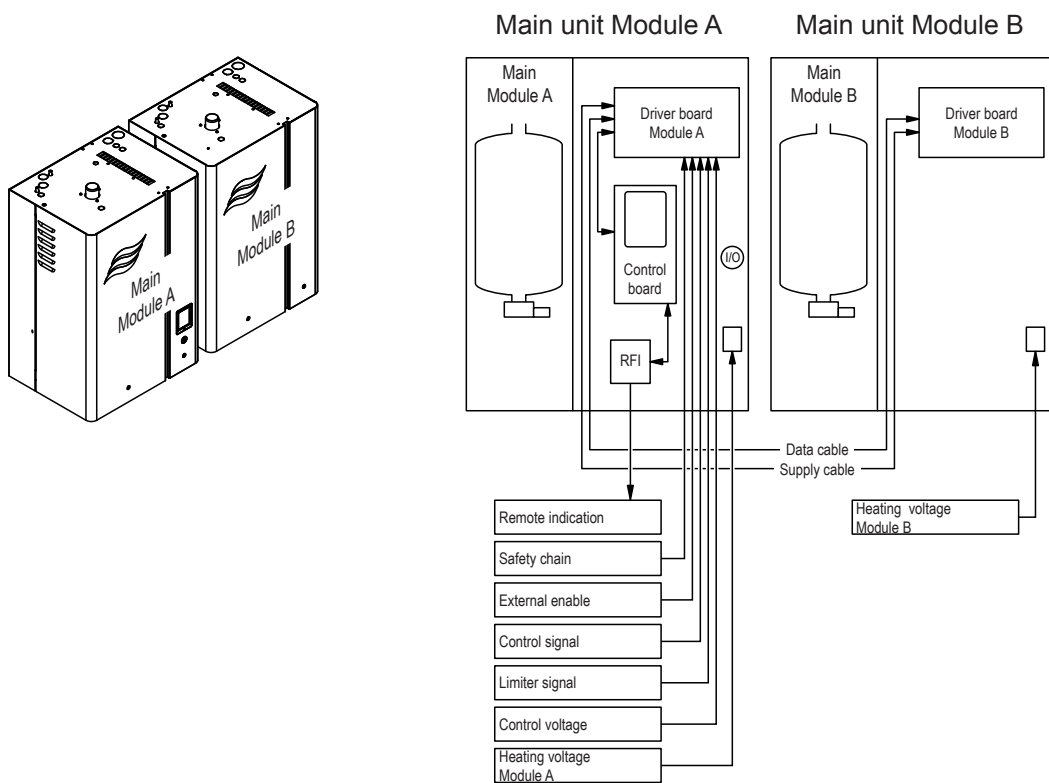


Fig. 3: Overview Double units (2 x "M")

3.2.4 Linkup systems (3 x "M"), EL 70...135

Housing size	Condaair EL	200V/1~	230V/1~	240V/1~	200V/3~	230V/3~	400V/3~	415V/3~	440V/3~	460V/3~	480V/3~	500V/3~	600V/3~
		kg/h	kg/h	kg/h	kg/h	kg/h	kg/h	kg/h	kg/h	kg/h	kg/h	kg/h	kg/h
3*M	...70...	—	—	—	—	3*23.3	—	—	—	—	—	—	—
	...80...	—	—	—	—	3*26.7	—	—	—	—	—	—	—
	...90...	—	—	—	—	3*30.0	—	—	—	—	—	—	—
	...105...	—	—	—	—	—	3*35.0	3*35.0	—	—	—	—	—
	...120...	—	—	—	—	—	3*40.0	3*40.0	—	—	—	—	—
	...135...	—	—	—	—	—	3*45.0	3*45.0	—	—	—	—	—

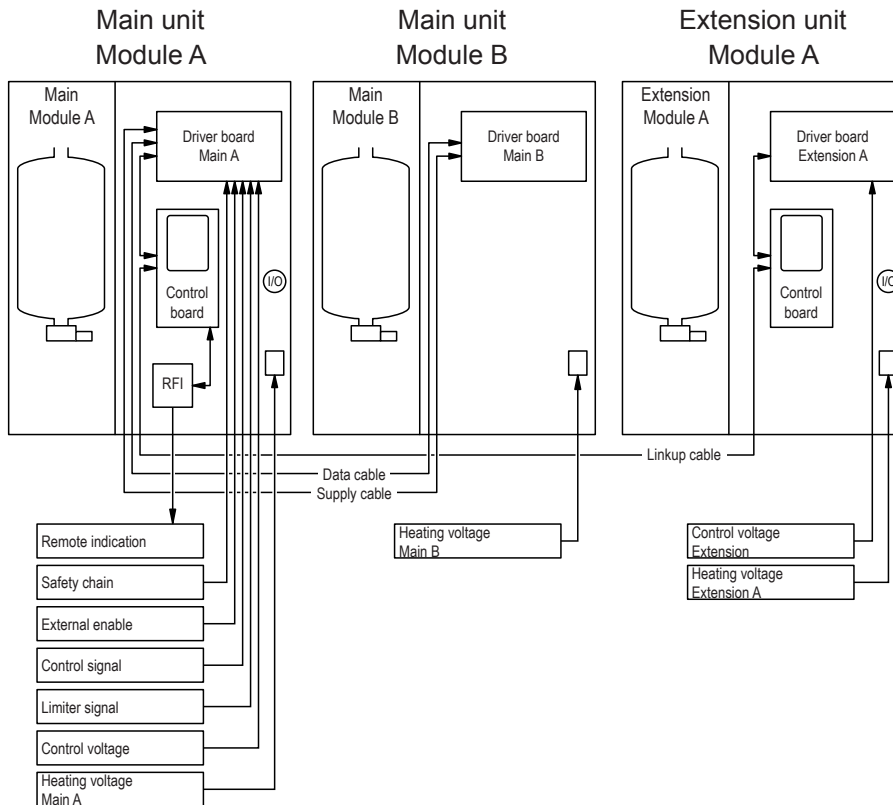
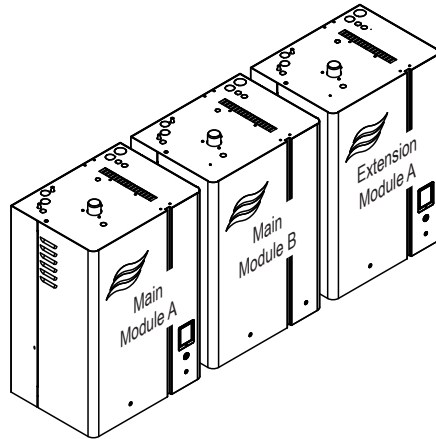


Fig. 4: Overview Linkup systems (3 x "M")

3.2.5 Linkup systems (4 x "M"), EL 105...180

Housing size	Condair EL	200V/1~	230V/1~	240V/1~	200V/3~	230V/3~	400V/3~	415V/3~	440V/3~	460V/3~	480V/3~	500V/3~	600V/3~
		kg/h	kg/h	kg/h	kg/h	kg/h	kg/h	kg/h	kg/h	kg/h	kg/h	kg/h	kg/h
4*M	...105...	—	—	—	—	4*26.3	—	—	—	—	—	—	—
	...120...	—	—	—	—	4*30.0	—	—	—	—	—	—	—
	...152...	—	—	—	—	—	4*38.0	4*38.0	—	—	—	—	—
	...160...	—	—	—	—	—	4*40.0	4*40.0	—	—	—	—	—
	...180...	—	—	—	—	—	4*45.0	4*45.0	—	—	—	—	—

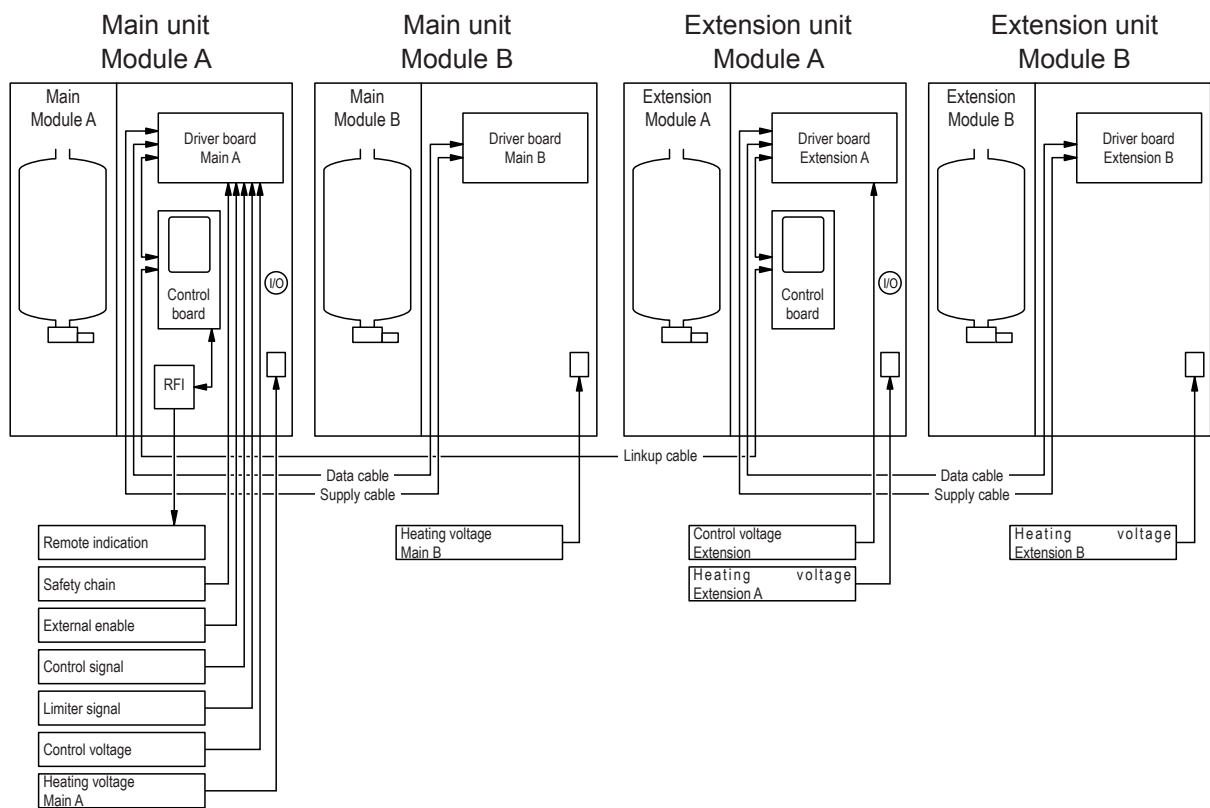
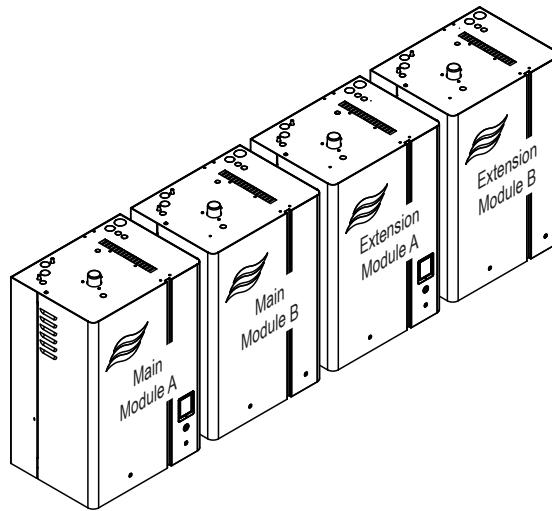


Fig. 5: Overview Linkup systems (4 x "M")

3.3 Product designation

The identification of the unit is found on the specification label.

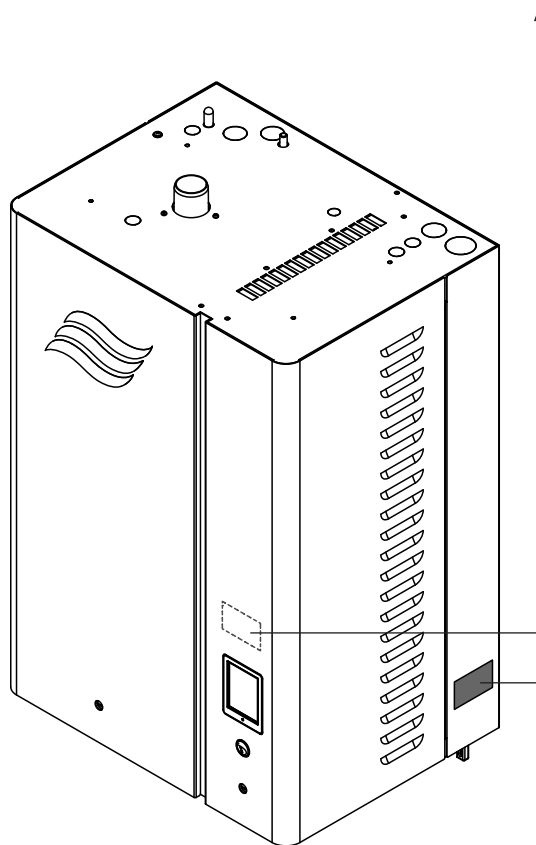
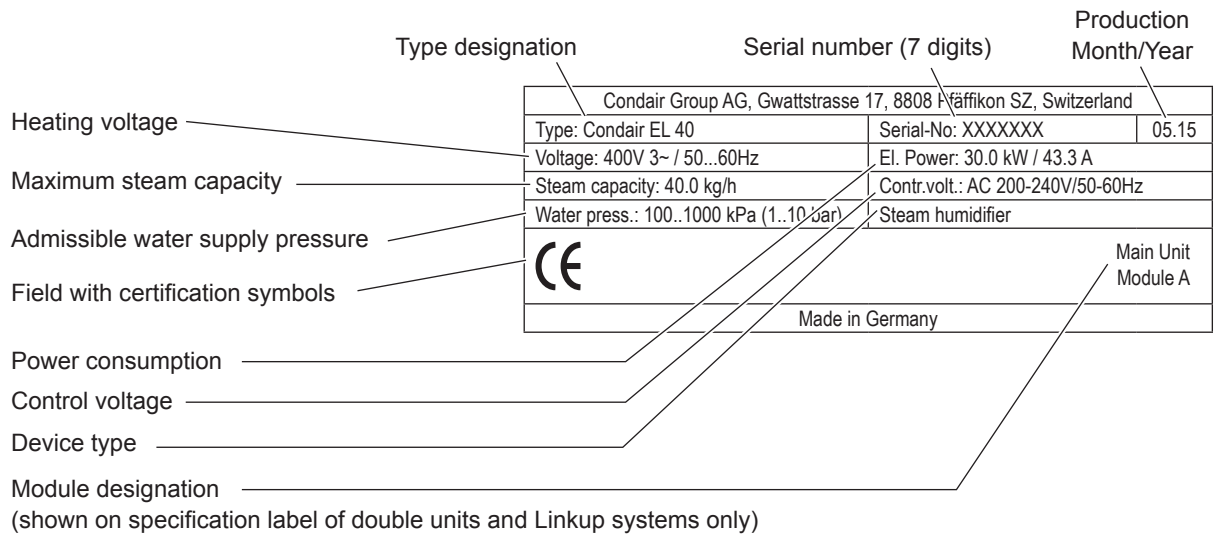


Fig. 6: Location of the specification label

Key model designation

Example:

Condair EL 50 L 400V/3~

Product designation _____

Unit model: _____

Housing size: _____

L: large housing

Heating voltage: _____

230V/1~/50...60Hz: **230V/1~**

200V/3~/50...60Hz: **200V/3~**

230V/3~/50...60Hz: **230V/3~**

400V/3~/50...60Hz: **400V/3~**

415V/3~/50...60Hz: **415V/3~**

440V/3~/50...60Hz: **440V/3~**

460V/3~/50...60Hz: **460V/3~**

480V/3~/50...60Hz: **480V/3~**

500V/3~/50...60Hz: **500V/3~**

600V/3~/50...60Hz: **600V/3~**

3.4 Options

		Condaire EL					
		Unit size					
Voltage	Small (S)	Medium (M)	Double (2xM)	Large (L)	Linkup (3xM)	Linkup (4xM)	
200...240V/1~	5...10	---	---	---	---	---	
200V/3~	5...8	10...15	20...30	35...60	---	---	
230V/3~	5...8	10...15	20...30	35...60	---	70...90	
400...415V/3~	5...8	10...15	20...45	50...90	50...90	105...135	
440...600V/3~	5...8	10...15	20...45	50...90	---	---	
Cleanable steam cylinder Cleanable steam cylinder as an alternative to the disposable steam cylinder built in as standard (see details in chapter 3.4.1).	1xD3..	1xD4..	1xD6..	2xD6..	3xD6..	4xD6..	
Accessory board PCB with relay contacts for the connection of remote fan enable (cylinder A/B) as well as remote enable of an external hygiene flush valve in the water supply line (cylinder A/B).	1xACC				2xACC	2xACC	
Pressure compensation kit Assembly kit for the installation of the filling cup on the equipment cover, for the operation of the steam humidifier in installations with duct air pressures up to 10'000 Pa.	1xOPS		2xOPS		3xOPS	4xOPS	
Terminal block for connecting two separate heating voltage supply lines Note: As standard "L" units are equipped with a TC terminal block for a single heating voltage supply line	---	---	THV-L		---		
CVI for internal control voltage supply (for 400...415 V mains supplies with neutral conductor) Terminal strip kit to provide control voltage supply for sites with 3 phase single voltage supply with neutral conductor. Only available for supply voltages 400...415 V/3~N/50...60 Hz.	1xCVI-S	1xCVI-M	1xCVI-L ¹⁾	2xCVI-M			
Transformer for internal control voltage supply (for 400...500 V mains supplies without neutral conductor) Kit including terminal strip and transformer to provide control voltage supply for sites with 3 phase single voltage supply without neutral conductor. Only available for supply voltages 400...500 V/3~/50...60 Hz.	1xTR-S	1xTR-M	1xTR-L ¹⁾	2xTR-M			
LonWorks board Supplementary board to connect the Condaire EL to a building management system via LonWorks.	1xLW						
Drain water cooling Kit including double inlet valve and hose set for drain water cooling below 60°C.	1xDWC		2xDWC		3xDWC	4xDWC	

¹⁾ For "L" units only possible if they are connected with two separate heating voltage supply lines (via option THV-L).

3.4.1 Option details

Steam cylinder

The steam humidifier is available with **two different types** of steam cylinders:

- **Exchangeable steam cylinder type A... (standard version)**
- **Cleanable steam cylinder type D... (option)**

The following tables present an overview of the steam cylinders used in the different models.

Condair EL ... 200...240V V/1~/50...60 Hz	5...10
For water conductivity from 125 to 1250 µS/cm	
Exchangeable steam cylinder	1xA342
Cleanable steam cylinder	1xD342

Condair EL ... 200...230 V/3~/50...60 Hz	5...8	10...15	20	24...30	35...45	50...60	70...90	105...120
For water conductivity from 125 to 1250 µS/cm								
Exchangeable steam cylinder	1xA343	1xA444	1xA654	1xA644	2xA654	2xA644	3xA644	4xA644
Cleanable steam cylinder	1xD343	1xD444	1xD654	1xD644	2xD654	2xD644	3xD644	4xD644

Condair EL ... 400...415 V/3~/50...60 Hz	5...8	10...15	20...24	30...45	50	60...90	105...135	152...180
For water conductivity from 125 to 1250 µS/cm								
Exchangeable steam cylinder	1xA363	1xA464	1xA674	1xA664	2xA674	2xA664	3xA664	4xA664
Cleanable steam cylinder	1xD363	1xD464	1xD674	1xD664	2xD674	2xD664	3xD664	4xD664
For low water conductivity <125 µS/cm								
Exchangeable steam cylinder	1xA343	1xA444	1xA654	1xA644	2xA654	2xA644	3xA644	4xA644
Cleanable steam cylinder	1xD343	1xD444	1xD654	1xD644	2xD654	2xD644	3xD644	4xD644

Condair EL ... 440...600 V/3~/50...60 Hz	5...8	10...15	20...24	30...45	50	60...90
For water conductivity from 125 to 1250 µS/cm						
Exchangeable steam cylinder	1xA363	1xA464	1xA674	1xA664	2xA674	2xA664
Cleanable steam cylinder	1xD363	1xD464	1xD674	1xD664	2xD674	2xD664

If you have questions regarding the steam cylinders please contact your Condair representative.

3.5 Accessories

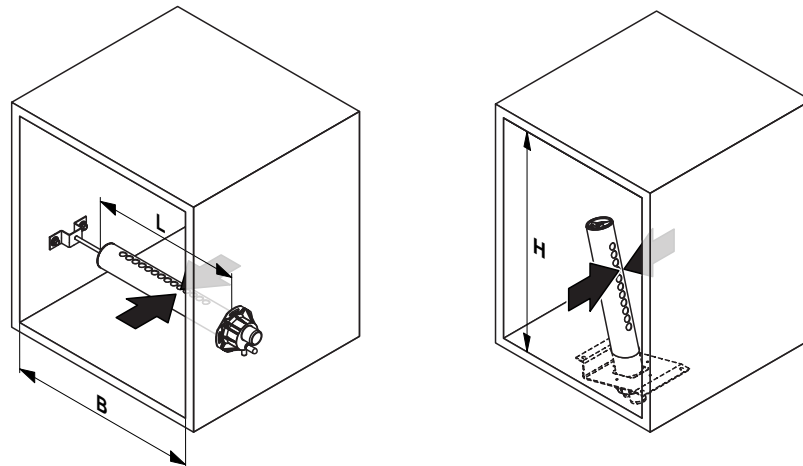
		Condair EL					
		Unit size					
Voltage	Small (S)	Medium (M)	Double (2xM)	Large (L)	Linkup (3xM)	Linkup (4xM)	
200...240V/1~	5...10	---	---	---	---	---	
200V/3~	5...8	10...15	20...30	35...60	---	---	
230V/3~	5...8	10...15	20...30	35...60	70...90	105...120	
400...415V/3~	5...8	10...15	20...45	50...90	50...90	105...135	
440...600V/3~	5...8	10...15	20...45	50...90	---	---	
Steam distribution pipe Steam distribution pipe for steam distribution inside a air duct (see details in chapter 3.5.1.1).	1x DV41	1x DV61	1xDV81	2xDV81		3xDV81	4xDV81
Steam distribution system OptiSorp Steam distribution system for steam distribution inside a air duct for reduced absorption distances (see details in chapter 3.5.1.2).	System 1		System 2		System 3	System 4	
Blower pack Blower pack for direct room humidification. The blower pack can be mounted either directly onto the Condair EL or separated from the unit to the wall (see details in chapter 3.5.1.3).	1x BP		2x BP	2x BP	3x BP	4x BP	
Support for steam distribution pipe Support for vertical mounting of the steam distribution pipe DV...	1xVS-DV41	1xVS-DV61	1xVS-DV81	2xVS-DV81		3xVS-DV81	3xVS-DV81
Steam hose / Meter	1x DS22	1x DS60	1x DS80	2x DS80		3x DS80	4x DS80
Condensate hose (ø12/8 mm) / meter	1x KS10	1x KS10	1x KS10	2x KS10		3x KS10	4x KS10
Filter valve Filter valve for the installation in the water supply line.	1xZ261		2xZ261		3xZ261	4xZ261	
Mounting rack Mounting rack for Condair EL	1x MR-S		1x MR-M	2x MR-M	1xMR-L	3x MR-M	4x MR-M

3.5.1 Accessory details

3.5.1.1 DV41-..., DV61-... and DV81-... steam distribution pipes

The steam distribution pipes are selected on the basis of the **duct width "B"** (for horizontal installation) or the **duct height "H"** (for vertical installation) and the **capacity of the steam humidifier**.

Important! Always select the longest possible steam distribution pipe (optimum humidification distance).



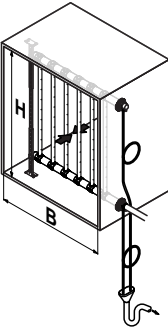
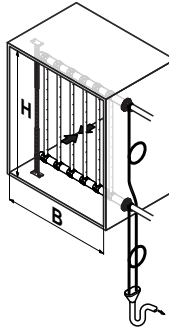
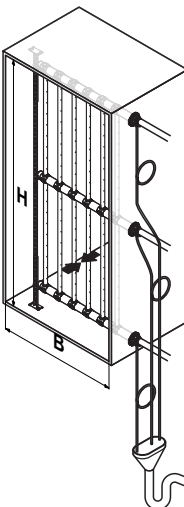
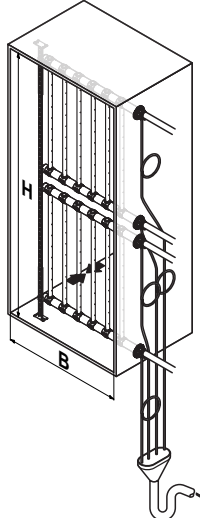
Steam distribution pipes made of CrNi steel							
Type DV41	Max. Steam capacity in kg/h	Type DV61	Max. Steam capacity in kg/h	Type DV81	Max. Steam capacity in kg/h	Length (L) in mm ¹⁾	Duct width (B)/ Duct height (H) in mm
DV41-200	8	DV61-200	10	DV81-200	10	200	210...400
DV41-350	8	DV61-350	15	DV81-350	30	350	400...600
DV41-500	8	DV61-500	15	DV81-500	30	500	550...750
DV41-650	8	DV61-650	21	DV81-650	50	650	700...900
DV41-800	8	DV61-800	21	DV81-800	50	800	900...1100
DV41-1000	8	DV61-1000	21	DV81-1000	50	1000	1100...1300
DV41-1200	8	DV61-1200	21	DV81-1200	50	1200	1300...1600
		DV61-1500	21	DV81-1500	50	1500	1600...2000
		DV61-1800	21	DV81-1800	50	1800	2000.2400
		DV61-2000	21	DV81-2000	50	2000	2200...2600
				DV81-2300	50	2300	2500...2900
				DV81-2500	50	2500	2700...3100

¹⁾ Special length on request

Note: for further information regarding the steam distribution pipes please refer to the separate installation and operating instructions of this product.

3.5.1.2 OptiSorp steam distribution system

The **OptiSorp** steam distribution system is used in ventilation ducts with a short humidification distance (for the calculation of the humidification distance refer to [chapter 5.4.2](#)). When ordering an **OptiSorp** system the duct dimension must be specified. Please consult the data in the following table:

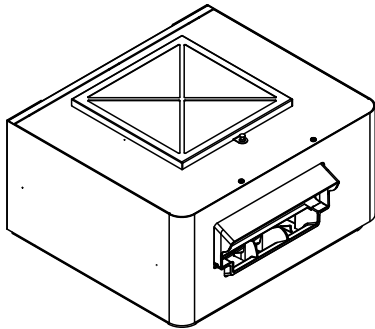
	OptiSorp System 1	OptiSorp System 2	OptiSorp System 3	OptiSorp System 4
				
Number of steam connectors	1	2	3	4
Max. steam capacity *	45 (30) kg/h	90 (60) kg/h	135 (90) kg/h	180 (120) kg/h
Duct width (B)	450...2700mm			
Duct height (H)	450...1650 mm	450...2200 mm	800...3200 mm	800...3200 mm

* For duct widths <600 mm the value in brackets apply

Note: further information on the OptiSorp steam distribution system can be found in the separate manual supplied with the OptiSorp steam distribution system.

3.5.1.3 Blower pack

The blower packs – in combination with the steam humidifiers Condair EL – are used for direct room humidification. The blower packs are **mounted directly on the humidifier** or **separately above the humidifier to the wall**.



Note: further information on the blower pack can be found in the separate manual supplied with the blower pack.

4 Receiving and storage

4.1 Inspection

After receiving:

- Inspect shipping boxes for damage.
Any damages of the shipping boxes must be reported to the shipping company without delay.
- Check packing slip to ensure all parts has been delivered.
All material shortages are to be reported to your Condair supplier within 48 hours after receipt of the goods. Condair Group AG assumes no responsibility for any material shortages beyond this period.
The standard delivery includes:
 - Condair EL steam humidifier equipped with the options ordered according [chapter 3.4](#), packed in cardboard box with:
 - Fastening set
 - Installation manual (this document), operation manual and spare parts list
 - Water drain hose with hose clamp
 - Supply cable between Module A to Module B (for double units and Linkup systems only)
 - Data cable between Module A to Module B (for double units and Linkup systems only)
 - Linkup cable between "Main A" and "Extensio"n"A" (for Linkup systems only)
Note: the supply cable, the data cable and the Linkup cable are supplied in the box of main unit A.
 - Ordered accessories with manual according [chapter 3.5](#), packed separately.
- Unpack the parts/components and check for any damage.
If parts/components are damaged, notify the shipping company immediately.
- Check whether the components are suitable for installation on your site according to the unit data stated on the specification label.

4.2 Storage and Transportation

Storing

Until installation store the Condair EL in its original packaging in a protected area meeting the following requirements:

- Room temperature: 5 ... 40 °C
- Room humidity: 10 ... 75 %rh

Transportation

For optimum protection always transport the unit and components in their original packaging and use appropriate lifting/transporting devices.



WARNING!

It is the customer's responsibility to ensure that operators are trained in handling heavy goods and that the operators comply with the appropriate regulations on work safety and the prevention of accidents.

Packaging

Keep the original packaging of the components for later use.

In case you wish to dispose of the packaging, observe the local regulations on waste disposal. Please recycle packaging where possible.

5 Mounting and installation work

5.1 Safety notes on mounting and installation work

Qualification of personnel

All mounting and installation work must be carried out only by **well qualified personnel authorised by the owner**. It is the owner's responsibility to verify proper qualification of the personnel.

General notes

Strictly observe and comply with all information given in the present installation manual regarding the mounting of the unit and the installation of water, steam and electricity.

Observe and comply with all local regulations dealing with water, steam and electrical installations.

Safety

Some installation work requires removal of the unit covers. Please note the following:



DANGER!
Danger of electric shock!

The Condair EL is mains powered. Live parts may be exposed when the unit is open. Touching live parts may cause severe injury or danger to life.

Prevention: The Condair EL must be connected to the mains only after all mounting and installation work has been completed, all installations have been checked for correct workmanship and the unit is closed and properly locked.



CAUTION!

The electronic components inside the humidifier are very sensitive to electrostatic discharge.

Prevention: To protect these components against damage caused by electrostatic discharge (ESD protection) appropriate measures must be taken when the unit is open for installation work.

5.2 Installation overviews

Typical installation for duct humidification

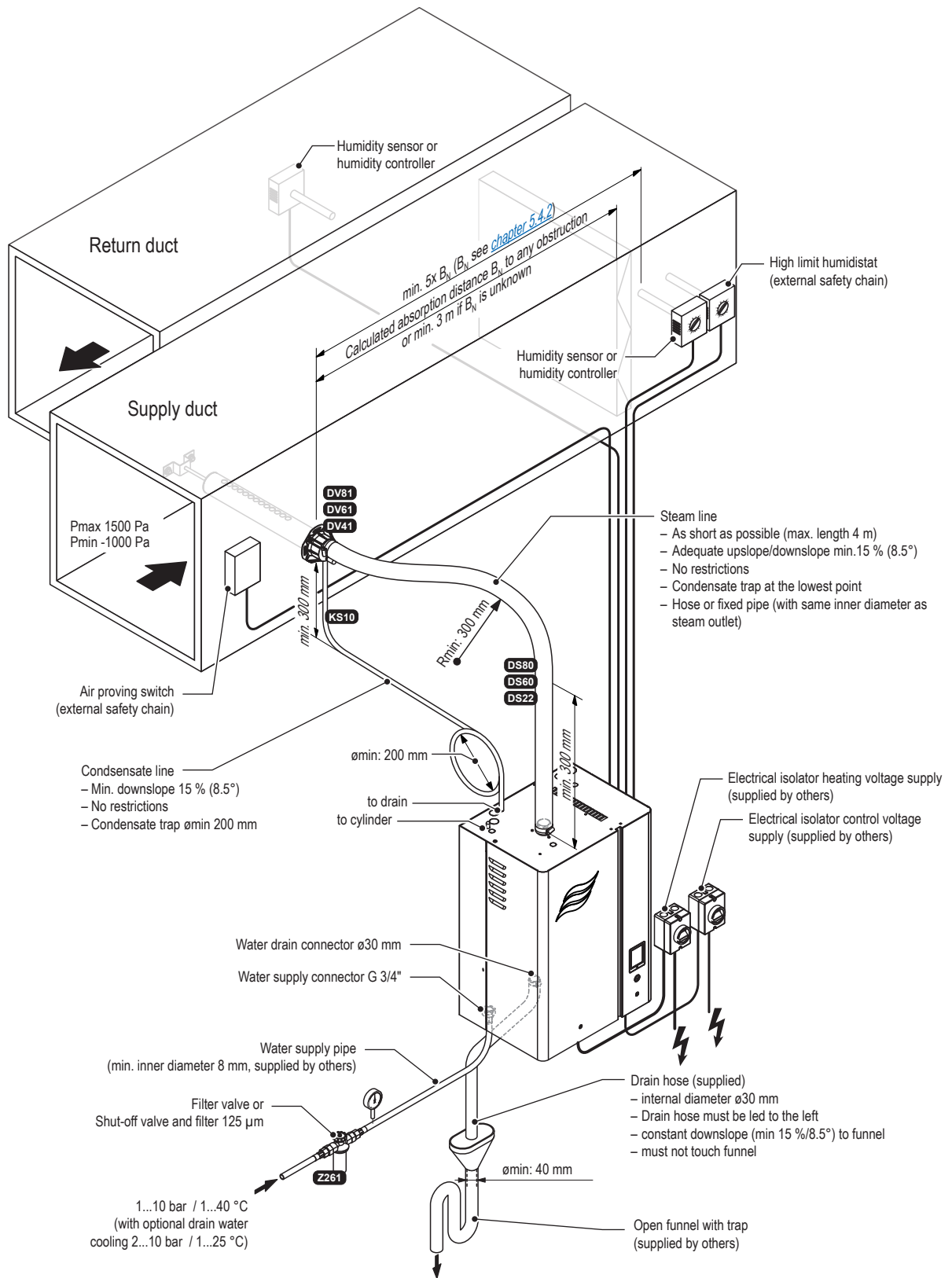


Fig. 7: Typical installation for duct humidification

Typical installation for room humidification

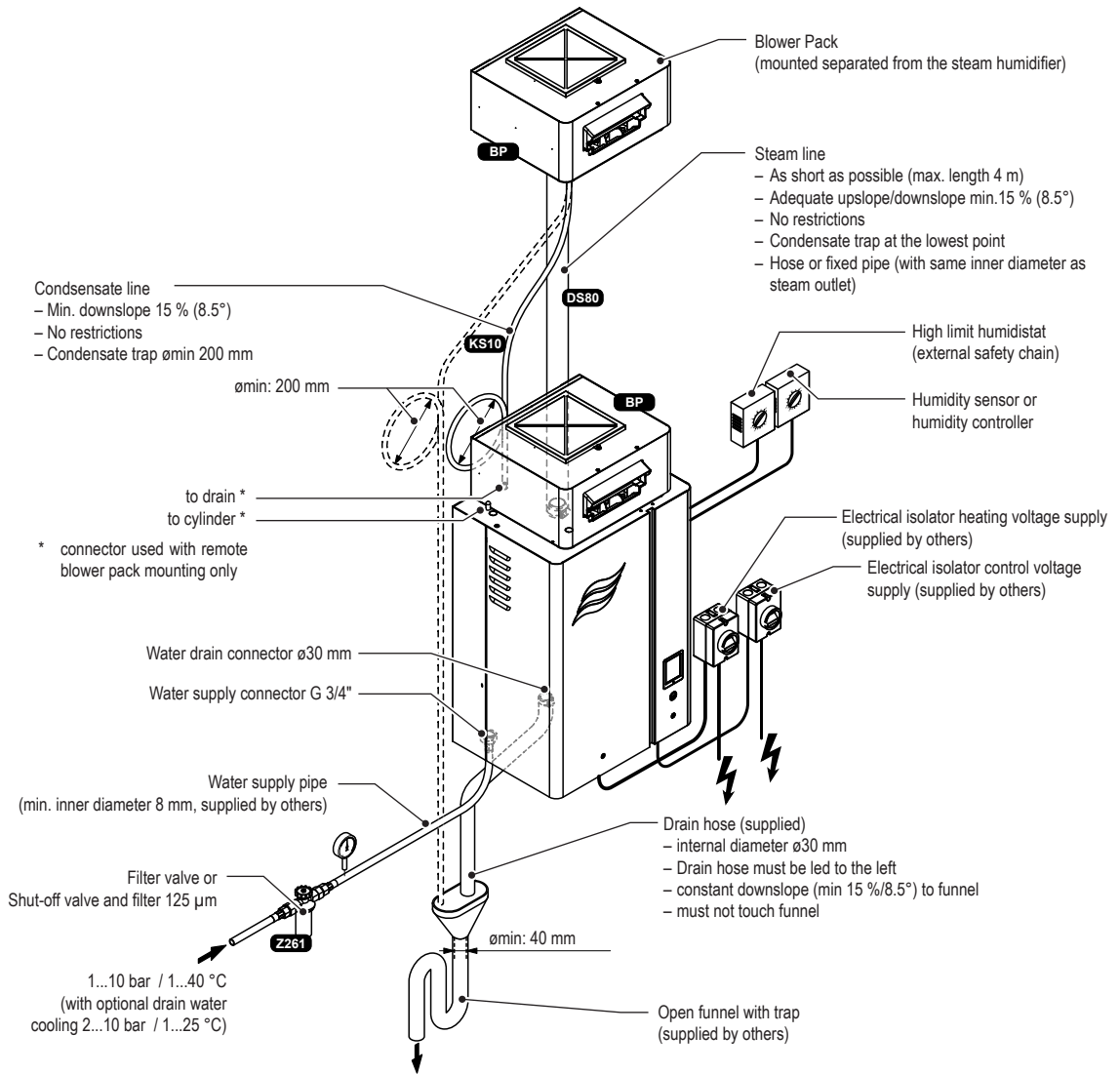


Fig. 8: Typical installation for room humidification

5.3 Mounting the unit

5.3.1 Notes on locating the unit

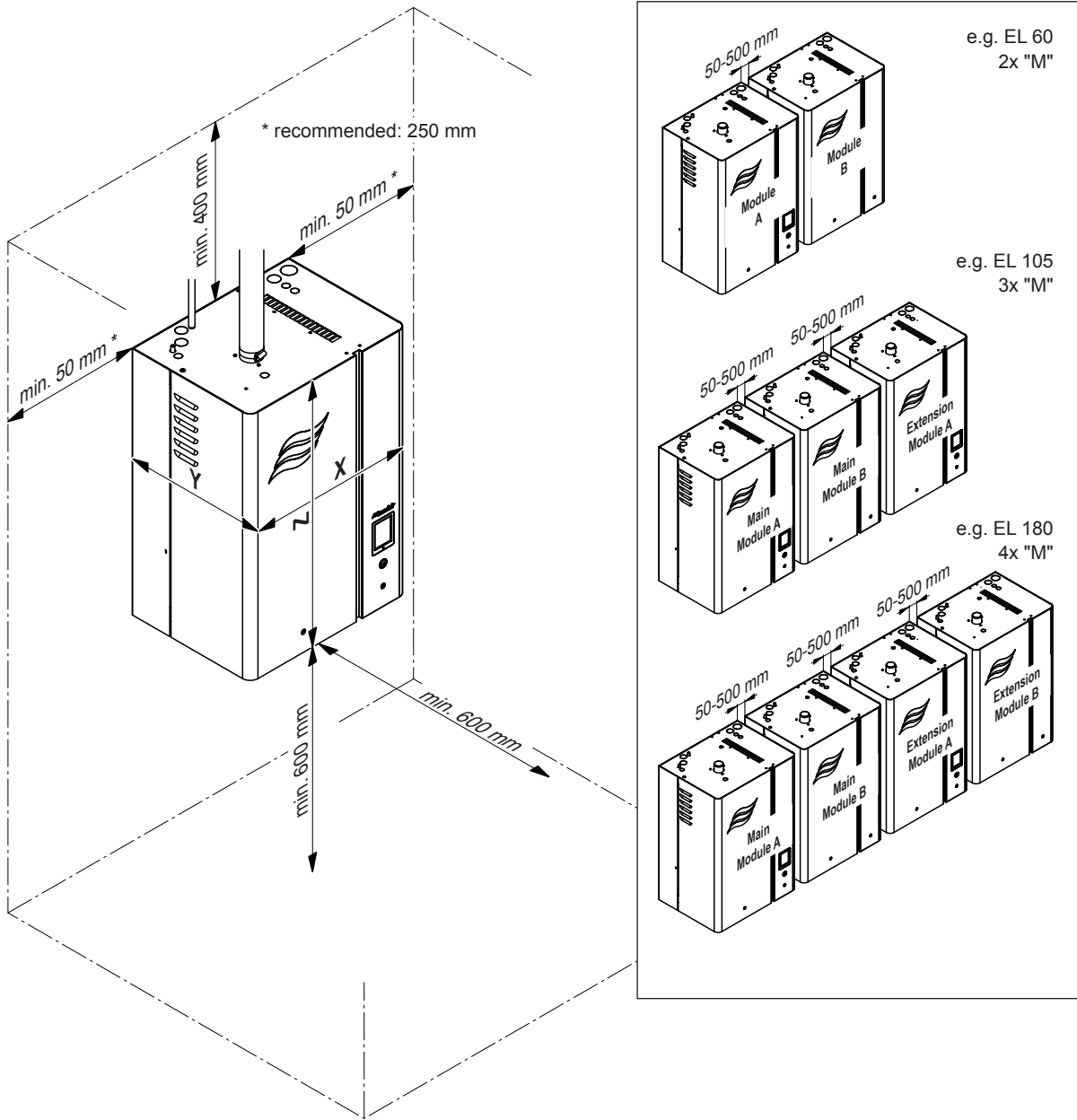


Fig. 9: Distances to be observed

Housing		Small ("S") EL 5...15	Medium ("M") EL 20...45	Large ("L") EL 50...90
		2x, 3x or 4x "M" for EL 35...180		
Housing dimensions in mm	X	420	530	1000
	Y	370	406	406
	Z	670	780	780
Netweight in kg		24.1	34.5	57.3
Operating weight in kg		34.1	58.6	105.0

The installation location of the Condair EL depends largely on the location of the steam distributor (see [chapter 5.4.2](#)). To **ensure proper functioning** of the steam humidifier and to **obtain an optimal efficiency**, the following points must be considered and observed when choosing the location for the steam humidifier:

- Install the steam humidifier so that:
 - the **length of the steam** line is kept as short as possible (**max. 4 m**),
 - the **minimum bend radius for steam hoses (R= 300 mm)** and for **solid steam pipes (5 x internal diameter)** and the **minimum upslope and downslope of the steam lines of 15%/8.5°** is maintained (see [chapter 5.4.5](#)).
- The Condair EL is designed for wall-mounting in protected interiors. Make sure that the construction (wall, pillar, floor-mounted console, etc.) to which the humidifier is to be mounted, offers a **sufficiently high load-bearing capacity** (take notice of the weight information found in the dimensions and weights table), and is suitable for the installation.



CAUTION!

Do **not** mount the steam humidifier directly to the ventilation duct (insufficient stability).

- The back panel of the Condair EL retains heat during operation (max. surface temperature of the metal housing approx. 60 - 70 °C). Make sure, therefore, that the construction (wall, pillar, etc.) to which the unit is to be mounted, does not consist of heat-sensitive material.
- Install the Condair EL in such a manner that it is **freely accessible** with sufficient space available for maintenance purposes. The **minimum distances** shown in [Fig. 9](#) **must be maintained**.
- In order to use the cables supplied with double units and Linkup systems, the unit must be mounted on the same height, with a distance between the units of min. 50 mm to max. 500 mm and in the order shown in [Fig. 9](#).
- The Condair EL is protected according to **IP21**. Make sure the unit is installed in a drip-proof location and the admissible ambient conditions are complied with.
- Do **not** mount the Condair EL to hot or very cold walls or near vibrating components.
- The steam humidifier Condair EL must only be installed in rooms with a floor drain.



CAUTION!

If for some reason the Condair EL must be installed in a location without floor drain, it is mandatory to provide a leakage monitoring device to safely interrupt the water supply in case of leakage.

- When mounting the Condair EL use **only the mounting materials supplied with the unit**. If mounting with the materials supplied is not possible in your particular case, select a method of mounting that is of similar stability.
- The Condair EL is designed for installation and operation within buildings (admissible temperature range 5...40 °C). For outdoor operation the Condair EL must be placed in a weather protective housing. If ambient temperatures near or below the freezing point are expected, the protective housing must be equipped with thermostat controlled heating of sufficient capacity. The water supply pipe must be equipped with trace-heating and must be insulated up to the protective housing. The installation of a normally open valve inside the building envelope that will drain water in case of power failure is highly recommended.

5.3.2 Mounting the humidifier

Overview wall mounting single units Small ("S") and Medium ("M")

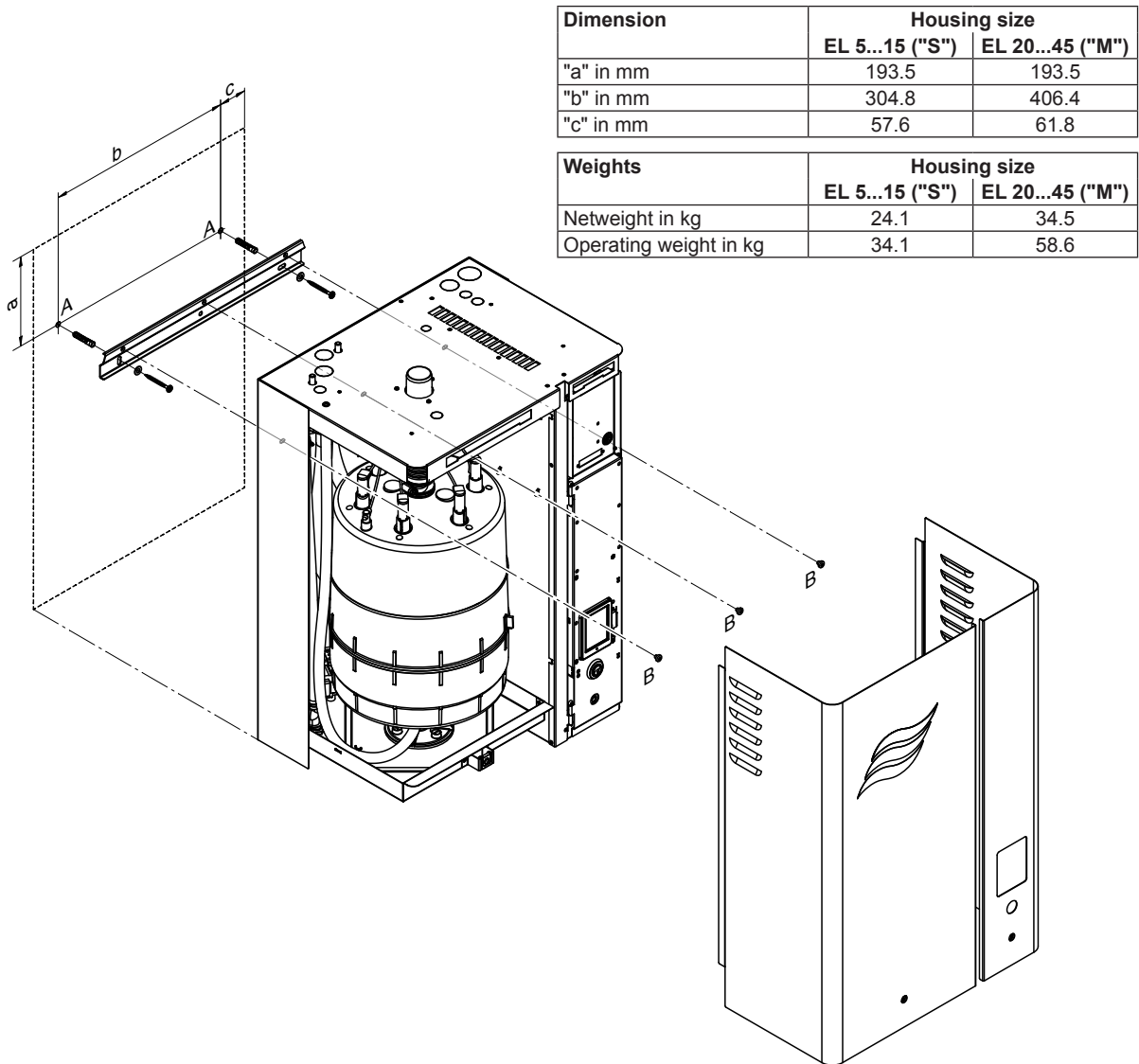


Fig. 10: Overview wall support mounting single units Small ("S") and Medium ("M")

Overview wall mounting single units Large ("L")

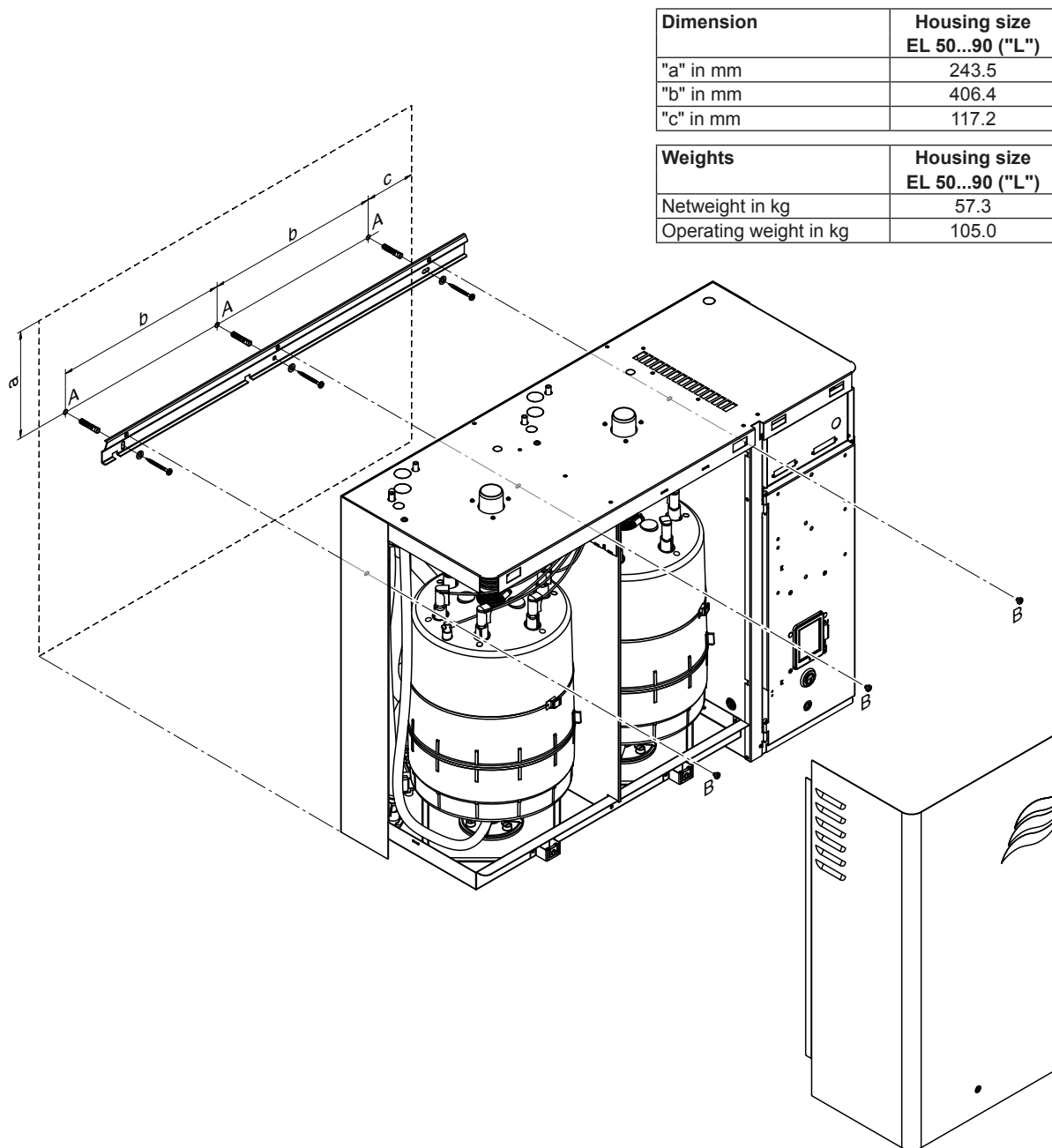


Fig. 11: Overview wall support mounting single units Large ("L")

Procedure

1. Mark the attachment points "A" for the wall support at the desired position with the help of a spirit level. Then, drill holes diameter: 10 mm, depth: 50 mm.
2. Insert the supplied plastic plugs, and fix the wall support to the wall with the screws and washers supplied. Before tightening the screws adjust wall support horizontally using a spirit level.
3. Unlock the screw of the front panels, then remove the front panels.
4. Hang up the unit onto the wall support. Then, fix the unit to the wall support using the supplied screws "B".
5. Reattach the front panels and secure it with the screws.

5.3.3 Inspecting the installed unit

Check the following points:

- Is the unit installed in the correct place (see [chapter 5.3.1](#))?
- Is the supporting surface stable enough?
- Is the unit correctly aligned, vertically and horizontally?
- Is the unit properly secured (see [chapter 5.3.2](#))?

5.4 Steam installation

5.4.1 Overview steam installation for duct humidification

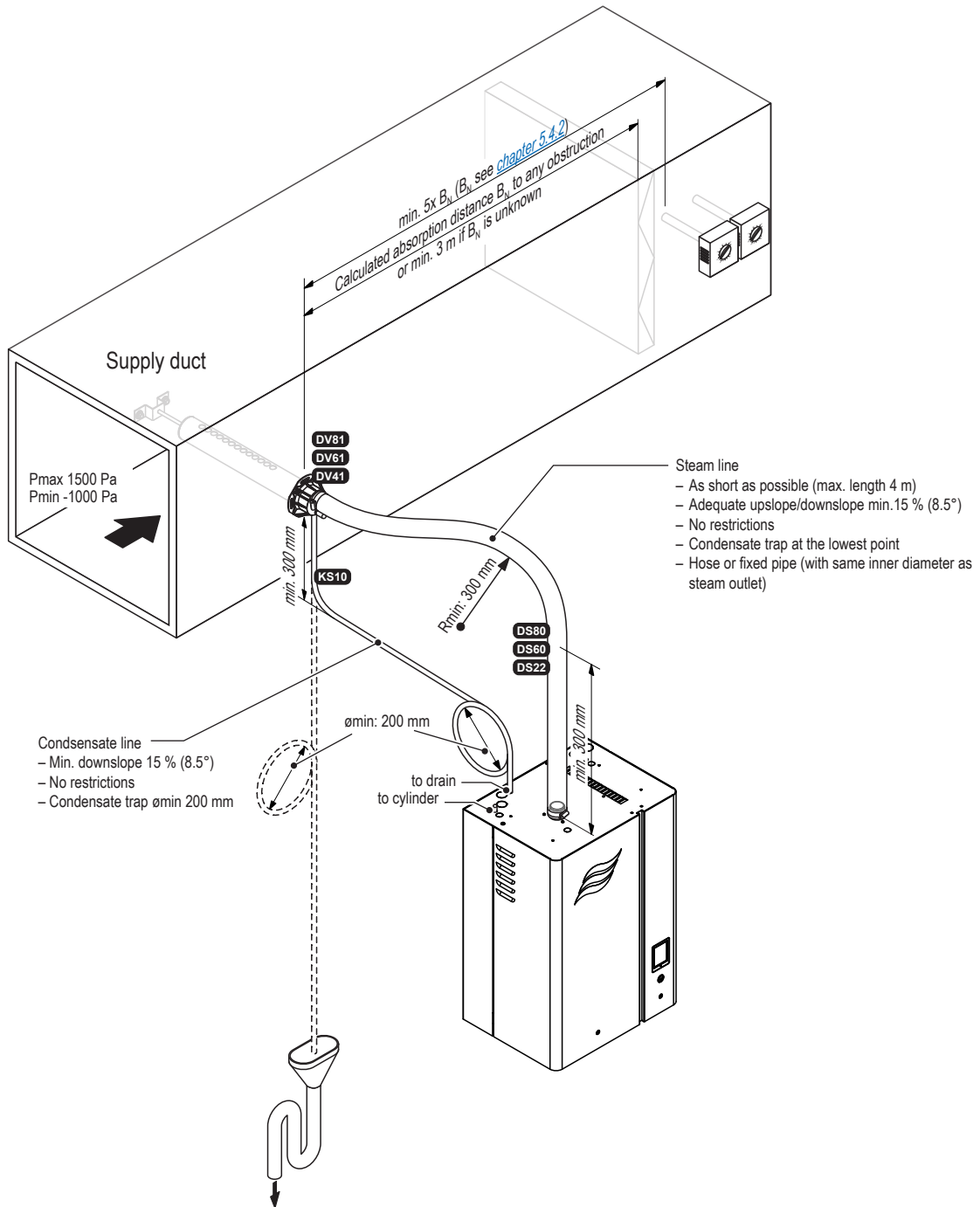


Fig. 12: Overview steam installation for duct humidification

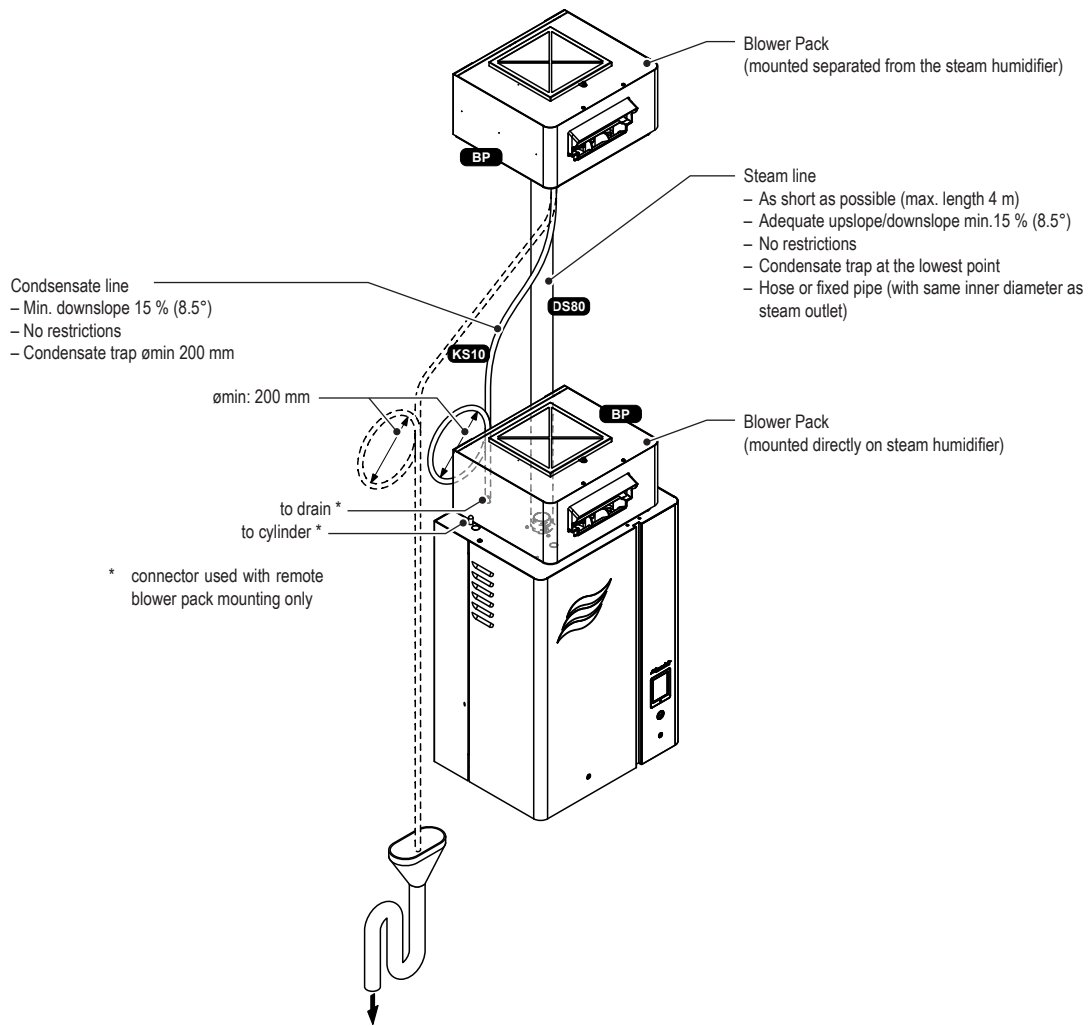


Fig. 13: Overview steam for room humidification

5.4.2 Positioning of the steam distributor

The location of the steam distributor should be determined at the time of dimensioning the air conditioning system. Please note the following instructions to ensure proper humidification of the duct air.

Calculating the absorption distance

The steam, emitting from the steam distributor, requires a certain distance to be absorbed by the air so that it is no longer visible as steam. This distance is referred to as **absorption distance " B_N "** and serves as a basis for the determination of the minimum distances from the downstream components in the system

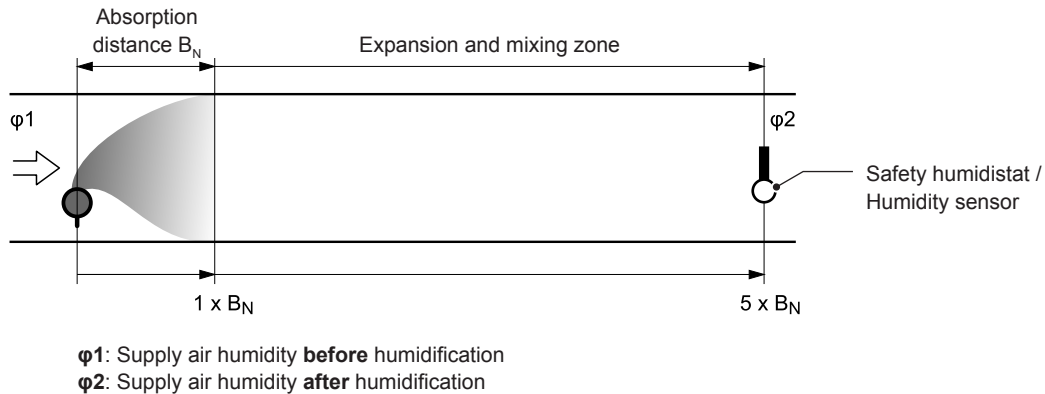


Fig. 14: Absorption distance " B_N "

The calculation of the absorption distance " B_N " is dependent on several factors. For a rough estimation of the absorption distance " B_N ", the following table is useful. Recommended standard values listed in this table are based on a supply-air temperature range of 15 °C to 30 °C. The values given in bold type **apply to steam distribution pipes DV41-..., DV61-... and DV81-...**, the values in brackets **apply to the OptiSorp steam distribution system.**

Humidity at inlet $\phi 1$ in %rh	Length of absorption distance B_N in m					
	Humidity at outlet $\phi 2$ in %rh					
	40	50	60	70	80	90
5	0.9 (0.22)	1.1 (0.28)	1.4 (0.36)	1.8 (0.48)	2.3 (0.66)	3.5 (1.08)
10	0.8 (0.20)	1.0 (0.26)	1.3 (0.34)	1.7 (0.45)	2.2 (0.64)	3.4 (1.04)
20	0.7 (0.16)	0.9 (0.22)	1.2 (0.30)	1.5 (0.41)	2.1 (0.58)	3.2 (0.96)
30	0.5 (0.10)	0.8 (0.17)	1.0 (0.25)	1.4 (0.36)	1.9 (0.52)	2.9 (0.88)
40	–	0.5 (0.11)	0.8 (0.20)	1.2 (0.30)	1.7 (0.45)	2.7 (0.79)
50	–	–	0.5 (0.13)	1.0 (0.24)	1.5 (0.38)	2.4 (0.69)
60	–	–	–	0.7 (0.16)	1.2 (0.30)	2.1 (0.58)
70	–	–	–	–	0.8 (0.20)	1.7 (0.45)

$\phi 1$ in %rh: Relative supply air humidity prior to humidification at the lowest supply air temperature
 $\phi 2$ in %rh: Relative supply air humidity after the steam distribution pipe at maximum capacity
 For duct widths <600 mm the absorption distance for the OptiSorp system increases by approx. 50%

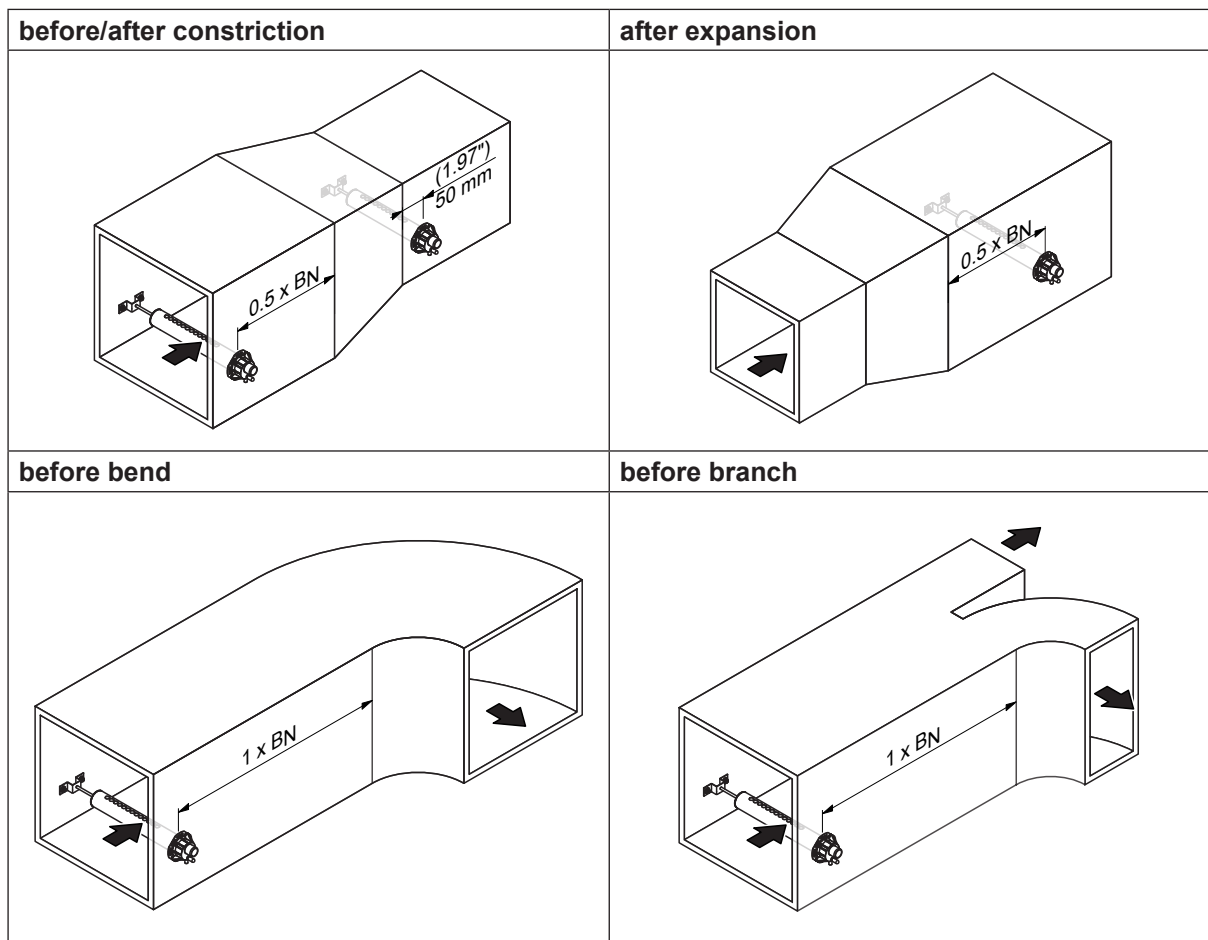
Example

given $\varphi_1 = 30\% \text{rh}$, $\varphi_2 = 70\% \text{rh}$
absorption distance B_N : **1,4 m**
(0.36 m for steam distribution system OptiSorp)

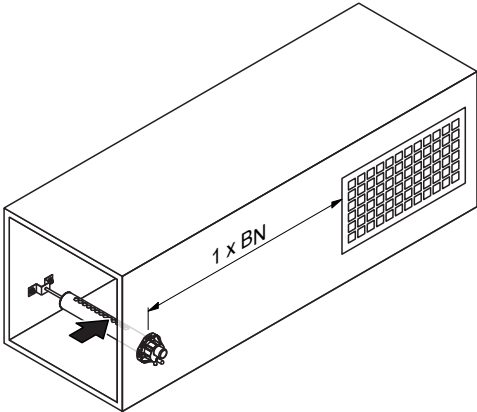
Note: If the absorption distance has to be reduced for technical reasons, the amount of steam per unit must be divided between several steam distribution pipes or the steam distribution system OptiSorp must be used. If this is the case, contact your Condair representative.

Minimum distances to be observed

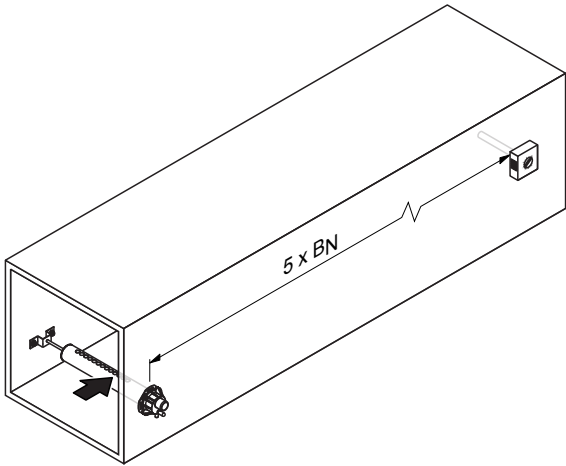
To prevent the steam, that is emitting from the steam distributor, from condensing on downstream system components, a minimum distance to the steam distributor must be observed (depends on the absorption distance " B_N ").



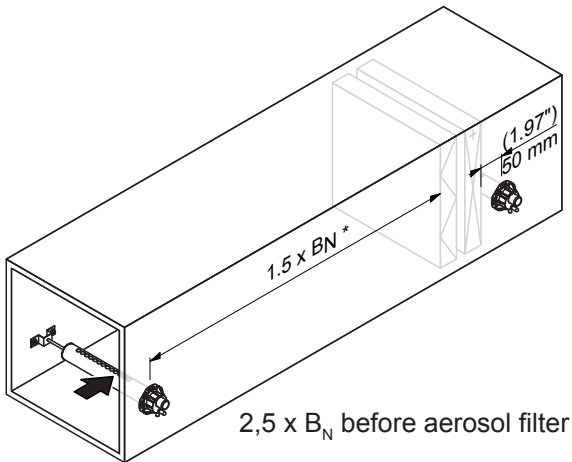
before diffuser



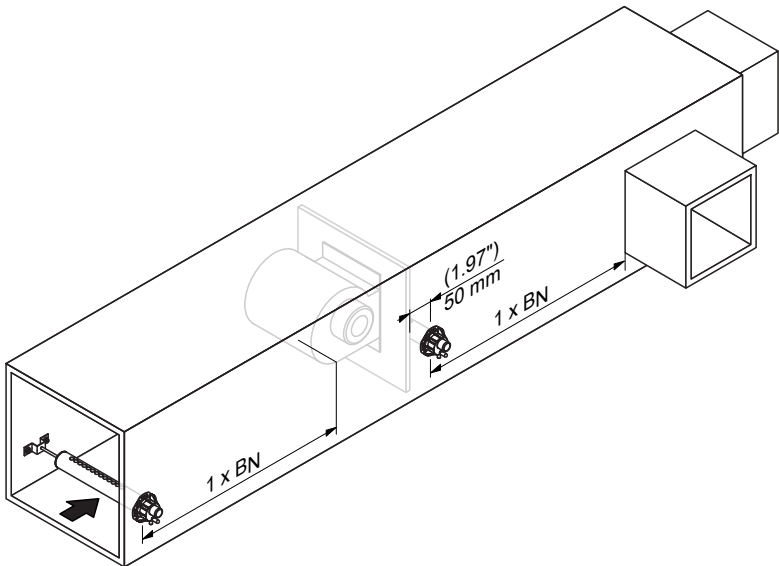
before humidity limit controller / sensor



before/after filter/heater



before/after fan, zone exit



Installation notes

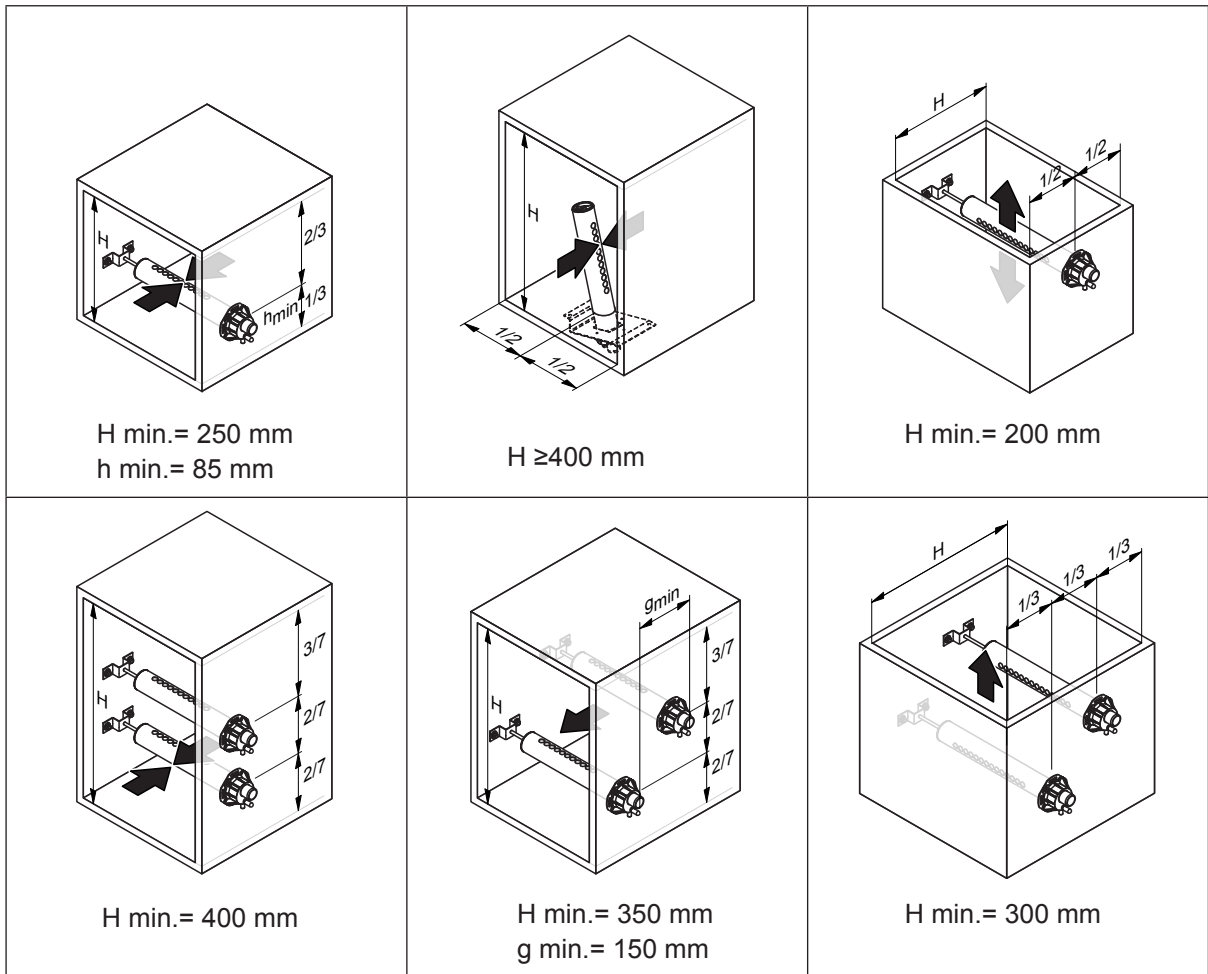
The steam distribution pipes are designed for either **horizontal** installation (on the duct wall) or, with accessories, for **vertical** installation (in the duct floor). The **outlet orifices should always point upwards and at right angles to the airflow**.

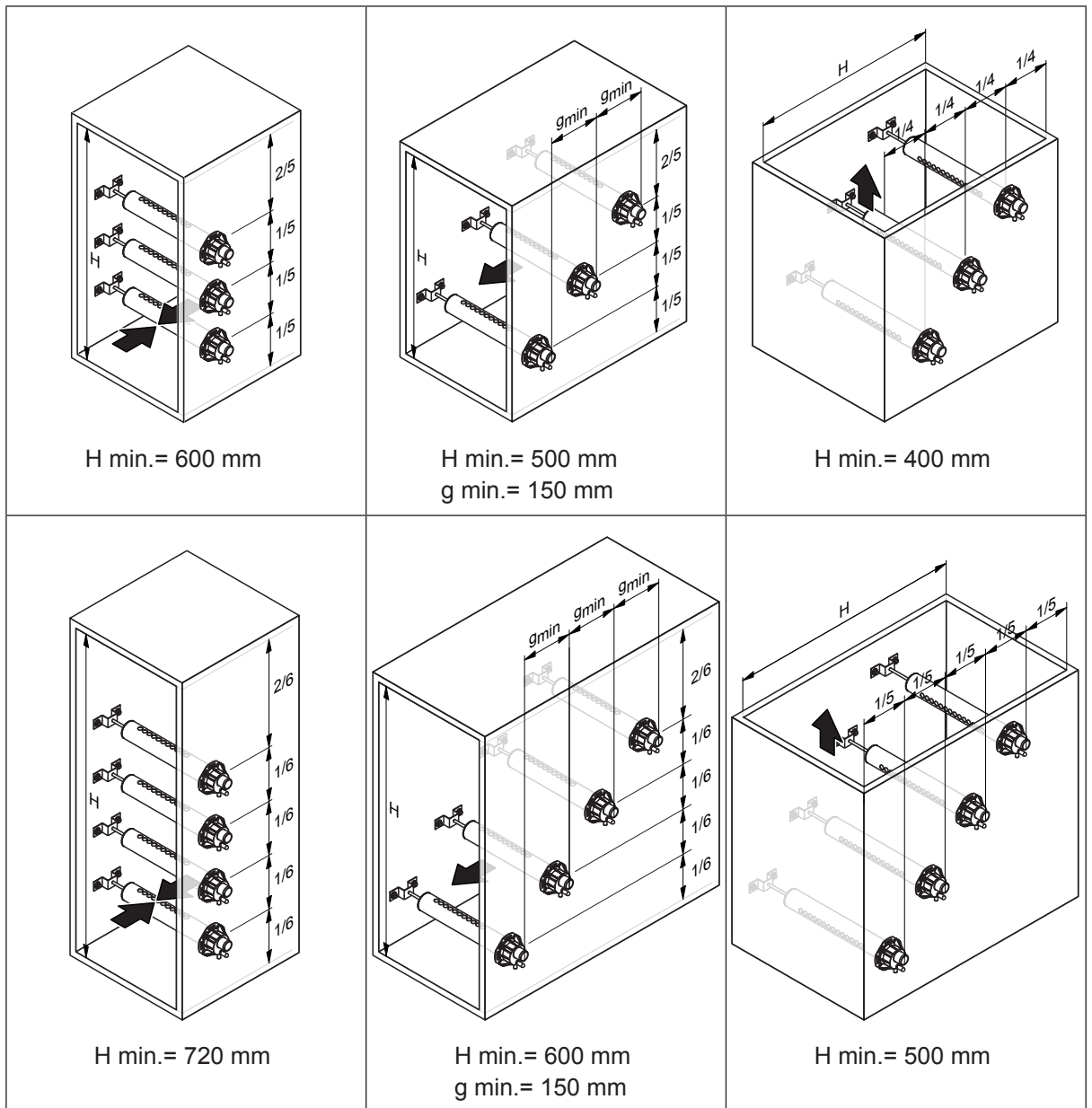
If possible, the steam distribution pipes should be installed on the **pressure side** of the duct (**max. duct pressure 1500 Pa**). If the steam distribution pipes are installed on the suction side of the duct, the **maximum vacuum must not exceed 1000 Pa**.

Select a location for the installation, tailored to suit your duct (see the following illustrations) and position the steam distribution pipes in the duct so that a uniform distribution of steam is achieved.

Positioning the steam distribution pipes in the duct

In positioning the steam distribution pipes, the following dimensions should be observed:





Note: When locating the OptiSorp steam distribution system please note the instructions in the separate documentation for this product.

Guidelines for dimensioning the ventilation ducts

- To facilitate the installation of the steam distribution pipes and for control purposes, a sufficiently sized control opening should be planned.
- Within the range of the absorption distance, the ventilation duct should be waterproofed.
- Air ducts passing through cold rooms should be insulated to prevent the humidified air from condensing along the duct wall.
- Poor airflow conditions within the air duct (e.g. caused by obstacles, tight bends, etc.) can lead to condensation of the humidified air.
- Steam distribution pipes must not be mounted to round ducts.

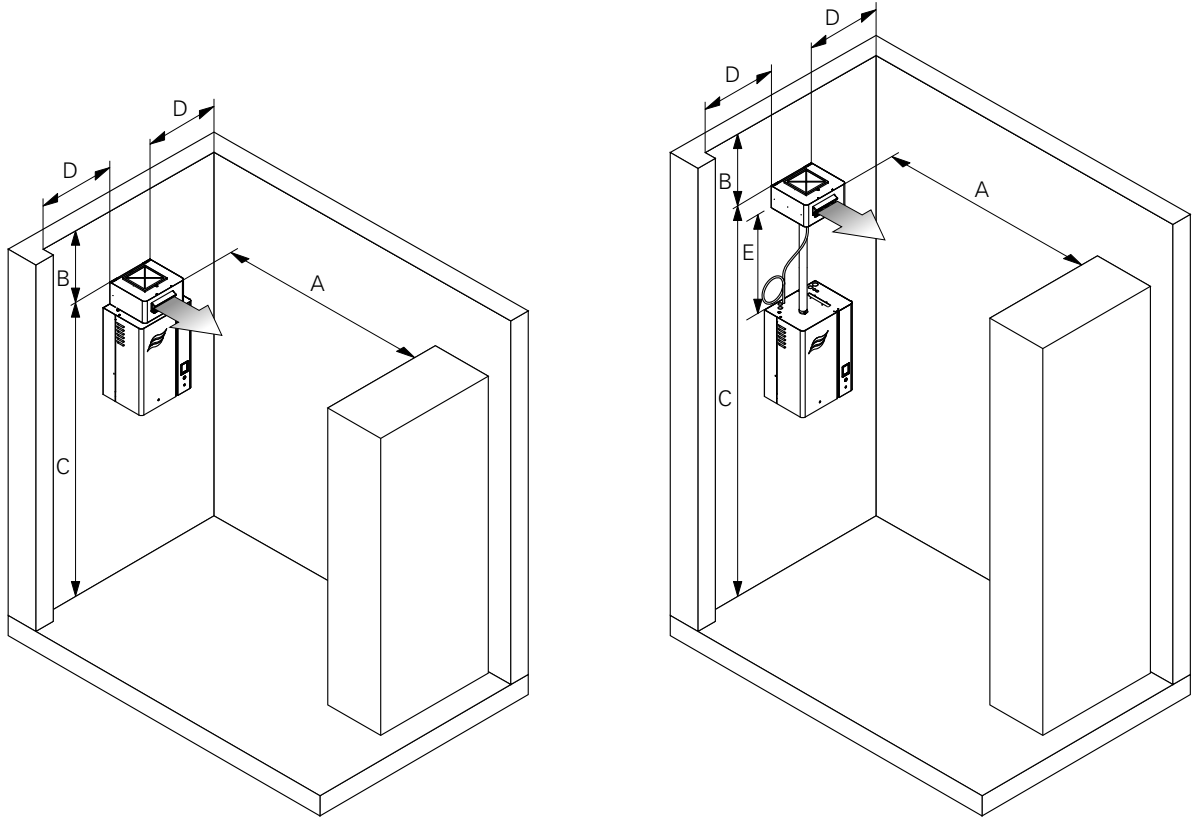
If you have questions relating to the dimensioning of ventilation ducts in combination with steam humidifiers Condair EL, contact your Condair representative.

5.4.3 Installing the steam distributors

Detailed information on the installation of steam distribution pipes DV41-..., DV61-.. and DV81-... as well as the OptiSorp steam distribution system can be found in the separate mounting instructions for these products.

5.4.4 Positioning and mounting of the blower packs (accessory BP)

The blower packs can either be mounted directly on the humidifier or separately above the humidifier to the wall. To allow the steam coming from the blower pack to spread out evenly, without condensing on obstacles (ceilings, joists, pillars, etc.), the following minimum dimensions must be observed when selecting the location for the blower pack.



Steam capacity humidifier	kg/h	Fan speed: Low				Fan speed: High			
		5...10	15...20	24...30	35...45	5...10	15...20	24...30	35...45
A min.	m	2.5	5.5	8.0	9.5	2.0	3.0	4.5	6.5
B min.	m	0.5	0.5	0.5	1.5	0.5	0.5	0.5	1.0
C min.	m	2.2							
D min.	m	0.5							
E min.	m	1.0							
E max.	m	4.0 (recommended: 2.0)							

Note: The minimum spaces in the table apply for a room atmosphere of 15 °C and 60 %rh. For lower temperatures and/or higher humidity the values should be adjusted accordingly.

Note: In order to achieve a uniform distribution of the humidity within the room, additional factors such as the room size, the room height, etc., must be taken into consideration besides observing the minimum distances for the blower packs. If you have questions concerning the direct room humidification, please contact your Condair representative.

Further information is provided in the separate installation and operating instructions for the corresponding blower pack.

5.4.5 Installing the steam and condensate lines

Installations notes

- Use **original steam and condensate hose** from your Condair representative or **solid steam pipes from copper or stainless steel (min. DIN 1.4301) exclusively**. Steam and condensate lines from other material may cause undesired operational malfunctions.
- Initially, lead the steam line **upright upwards min. 300 mm above the humidifier**. Then lead the steam line with a **minimum upslope** and/or a **minimum downslope of 15 %/8.5°** to the steam distributor.
- The condensate hose from the steam distributor is led down to the humidifier with a **minimum downslope of 15 %/8.5°**, via a condensate trap (**min. hose bend diameter Ø200 mm**) and there it is to be connected to the appropriate connector on top of the unit.
Important! Before putting the unit into operation, the condensate trap of the condensate hose must be filled with water.
- The steam line should be kept as short as possible (**max. 4 m** while observing the **minimum bend radius of 300 mm** (for steam hoses) or **5 x internal diameter** (with solid steam pipes), respectively).
Important! Allowance must be made for a **pressure loss of approx. 100 Pa** per meter steam line and per 90° elbow.
- **Important!** When deciding on the length and layout of steam hoses, it should be noted that steam hoses may become shorter and/or longer depending on temperature and age.
- The steam hose must be secured to the steam distributor and humidifier steam outlet by means of **hose clamps**. Solid steam pipes should be connected to the steam distributor and steam humidifier with short lengths of steam hose secured with hose clamps.
Caution! Do not overtighten the hose clamp on the steam connector of the steam humidifier.
- Steam lines made of solid pipes (copper or stainless steel) must be insulated over the entire length to minimize condensate formation (=loss).



Reducing the cross section or the complete closure of the steam line will cause an excessive increase in pressure in the steam cylinder when the unit is operating and could lead to the risk of scalding accidents. All installations must comply with the following instructions.

- When installing make sure the steam line is open over the entire length and through the whole cross section. Any sealing plugs, adhesive sealing sheets etc. must be removed before connecting the steam pipe. Reductions in cross section by kinking or crushing must be prevented.
- Steam hoses must be prevented from sagging (condensate pockets); if necessary, support steam hose with pipe clamps, trough, or wall brackets, and install a condensate drain at any low points in the steam line.
- It is **not permitted to install a stop valve** (e.g. a manually controlled stop valve, solenoid valve, etc.) in the steam line, due to an inadmissible increase of pressure in the steam cylinder if the valve is closed during the operation.

Installation examples

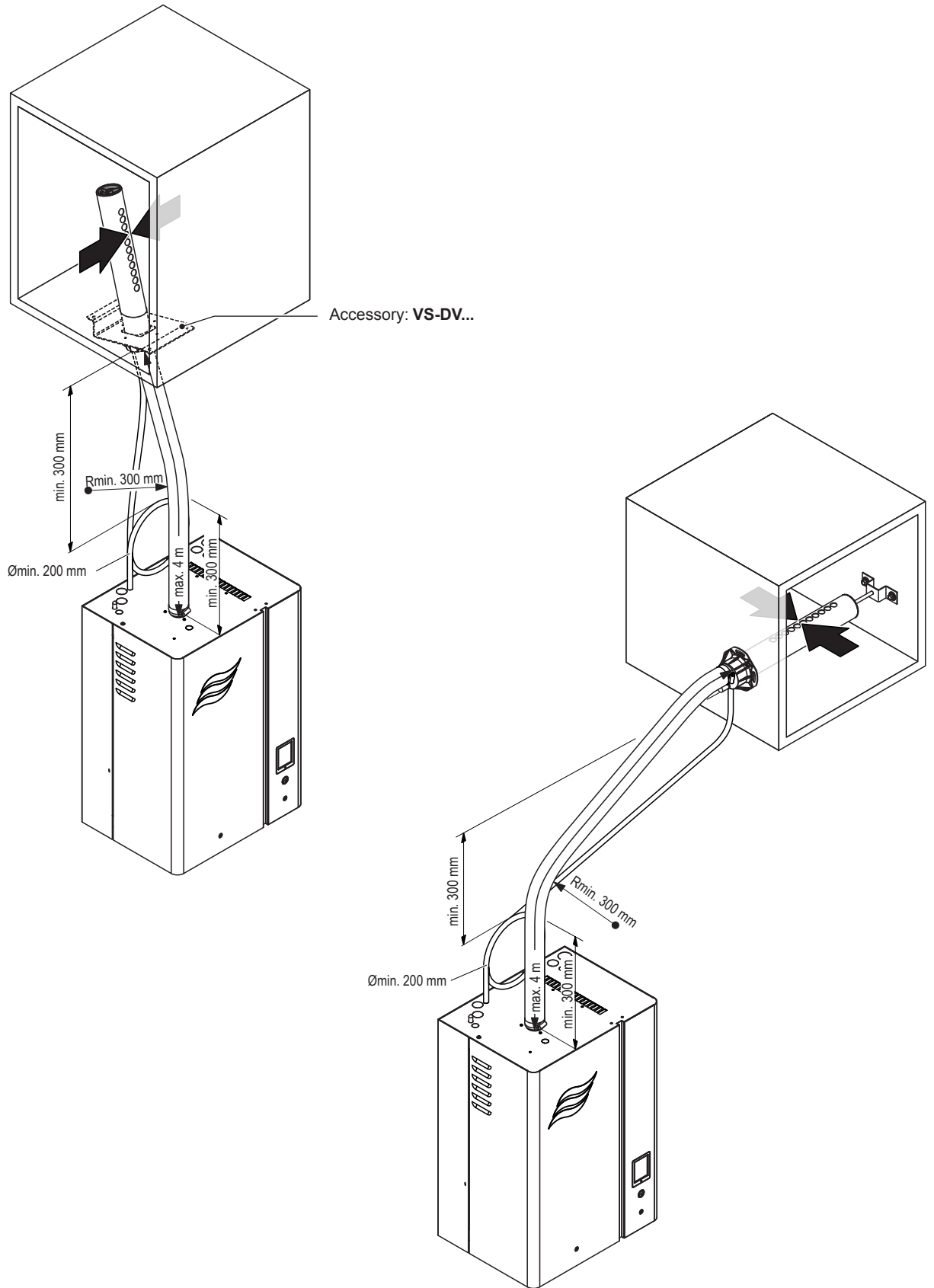


Fig. 15: Steam distributor mounted more than 500 mm above the top edge of the humidifier

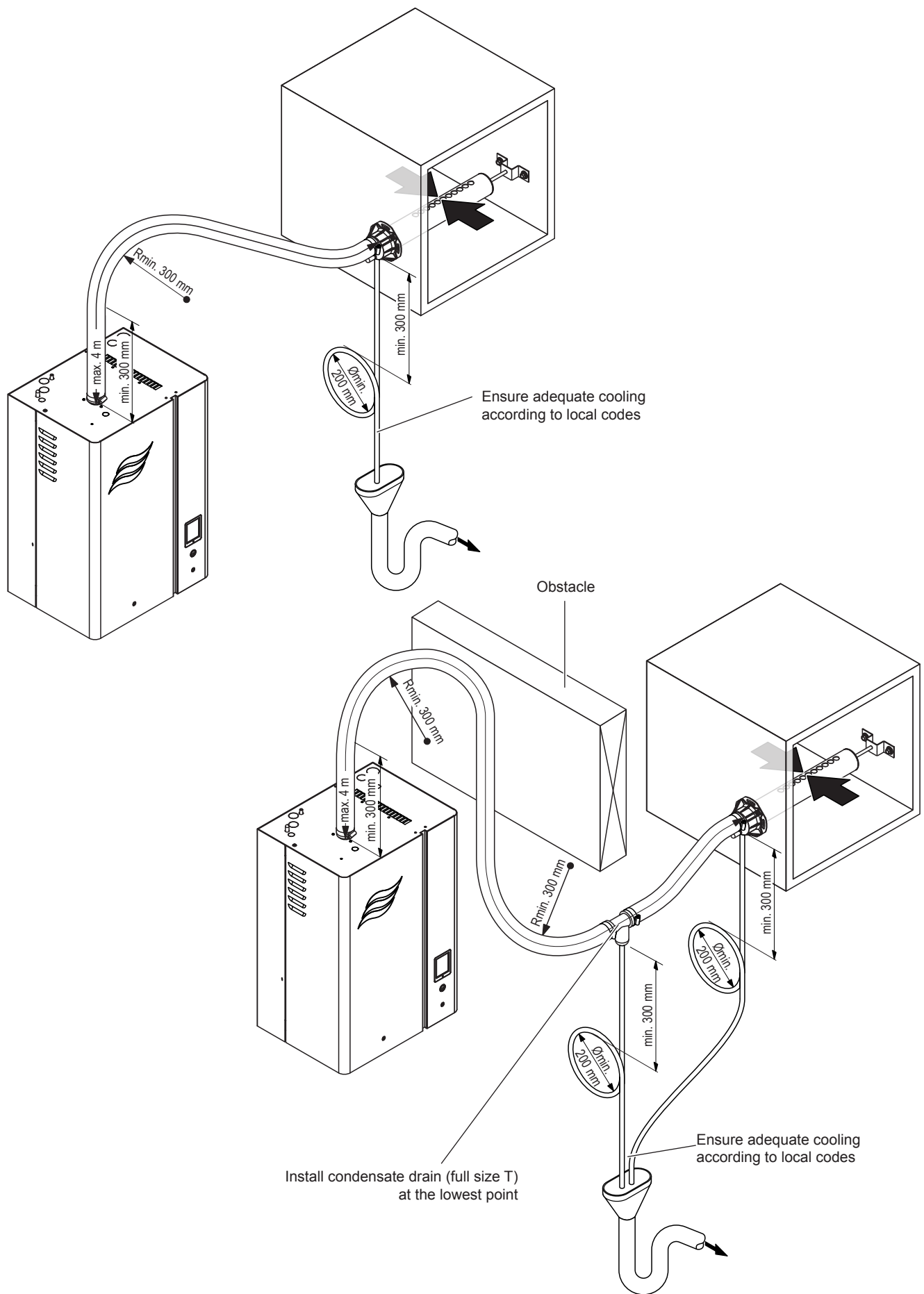


Fig. 16: Steam distributor mounted less than 500 mm above the top edge of the humidifier

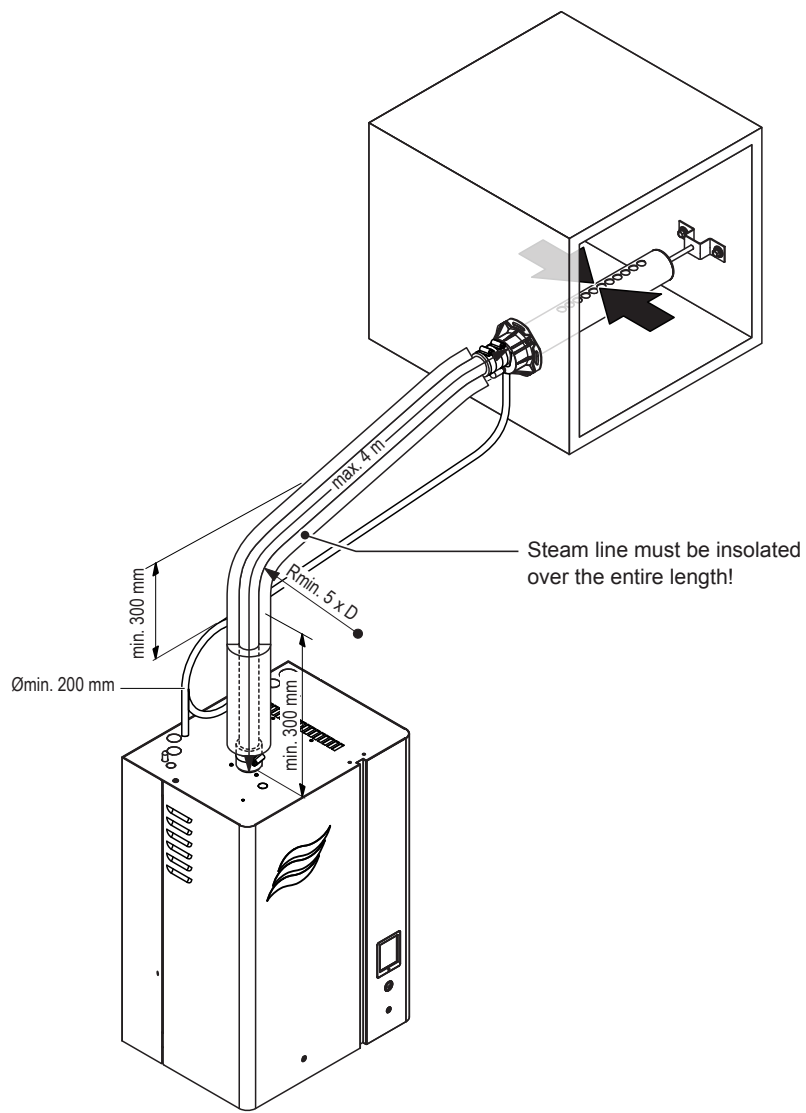
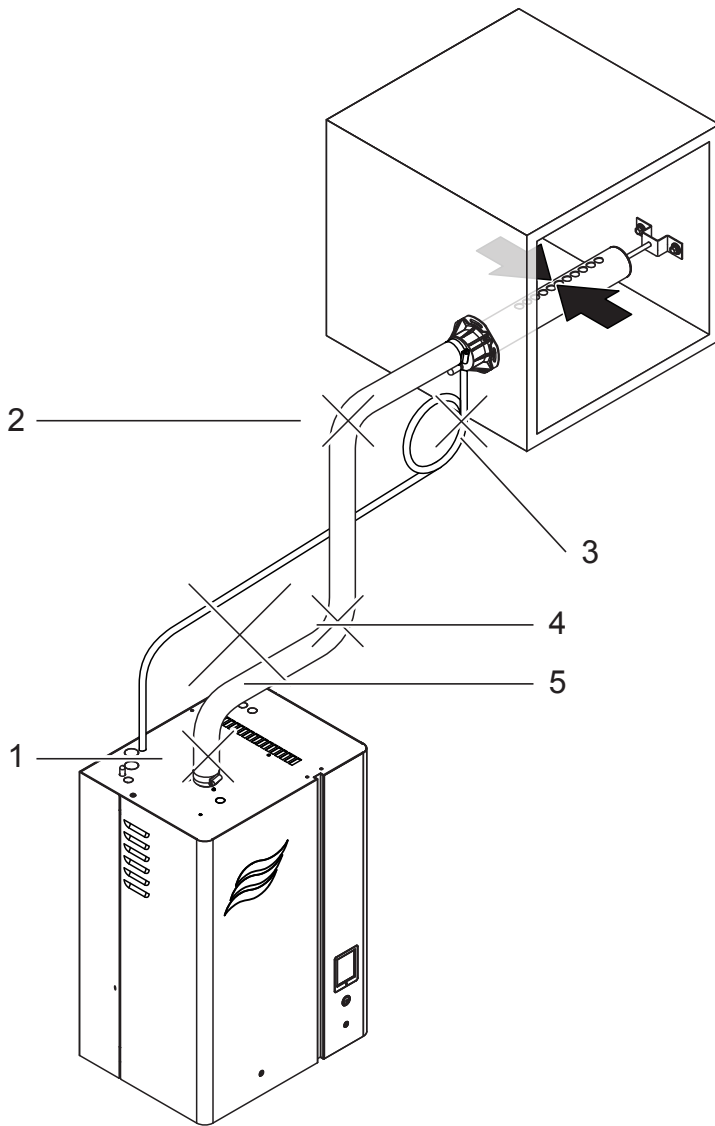


Fig. 17: Steam line with solid piping and insulation

5.4.6 Common steam and condensate line errors



	Wrong	Correct
1	Steam line not led at least 11.81" (300 mm) perpendicularly upwards before first bend (forming of condensate).	Lead steam line at least 11.81" (300 mm) perpendicularly upwards before first bend.
2	Minimum bend radius of steam hose/solid steam line not maintained (forming of condensate).	The minimum bend radius of 11.81" (300 mm) for steam hoses or 5 times steam line internal diameter for solid steam lines must be maintained.
3	Condensate trap not sufficiently high and installed too near at the steam distributor.	The condensate trap must be at least 300 mm below the connector on the steam distributor and it must have a minimum height of 200 mm (ø200 mm).
4	No condensate trap installed at vertical transition.	Install condensate trap at all low points and before vertical transitions.
5	Steam line and condensate hose not sloped (slope min. 15 % (8.5°)).	Install steam line always with constant up or downslope of min. 15 % (8.5°) and condensate hose with constant downslope of min. 15 % (8.5°).

Fig. 18: Common steam and condensate line errors

5.4.7 Inspecting the steam installation

Use the following check list to ensure that the steam installation was performed correctly:

- Steam distributor
 - Steam distributors (steam distribution pipe or OptiSorp steam distribution system) correctly positioned and secured (screws tightened)?
 - Are the outlet orifices at right angles to the air flow for horizontal installation, or at 45 degree angle for vertical installation?
- Steam hose
 - Maximum length of 4 m?
 - Minimum bend radius of 300 mm (5 x internal diameter with fixed piping)?
 - Have the instructions for hose layout been followed?
 - Steam hose: no sagging (condensate pocket) or condensate drain with trap (hose bend with a minimum diameter of 200 mm) installed at any low points?
 - Fixed steam lines: properly insulated? Correct installation material used? Minimum internal diameter maintained?
 - Steam hose or steam hose pieces securely attached with clamps?
 - Heat expansion during operation and shortening of the hose with ageing taken into consideration?
- Condensate hose
 - Downslope of at least 15 % (8.5°)?
 - Trap (min. \varnothing 200 mm) in place and filled with water?
 - Condensate hose correctly afixed and supported and not kinked?

5.5 Water installation

5.5.1 Overview water installation

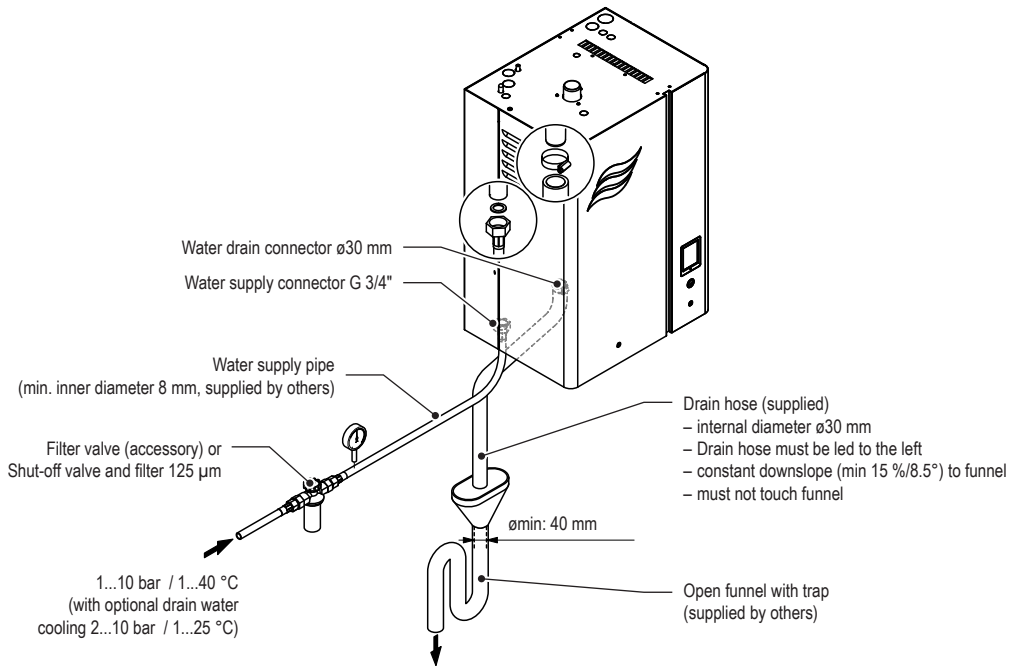


Fig. 19: Overview water installation for single units Small ("S") and Medium ("M")

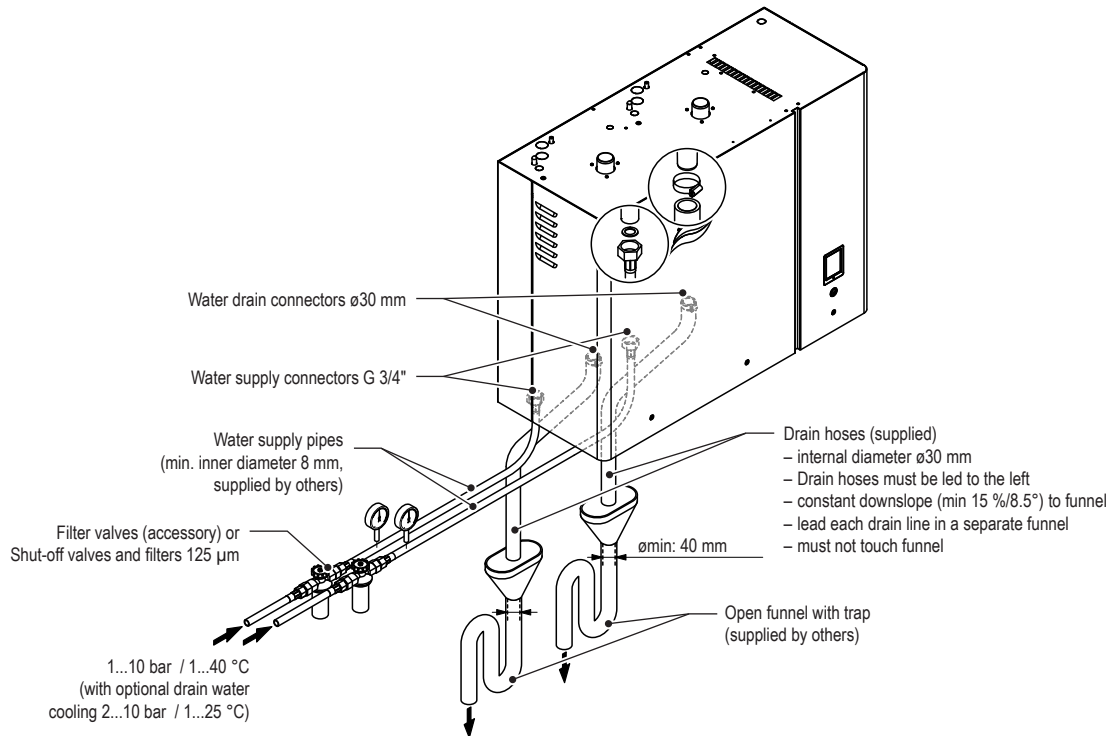


Fig. 20: Overview water installation for single units Large ("L")

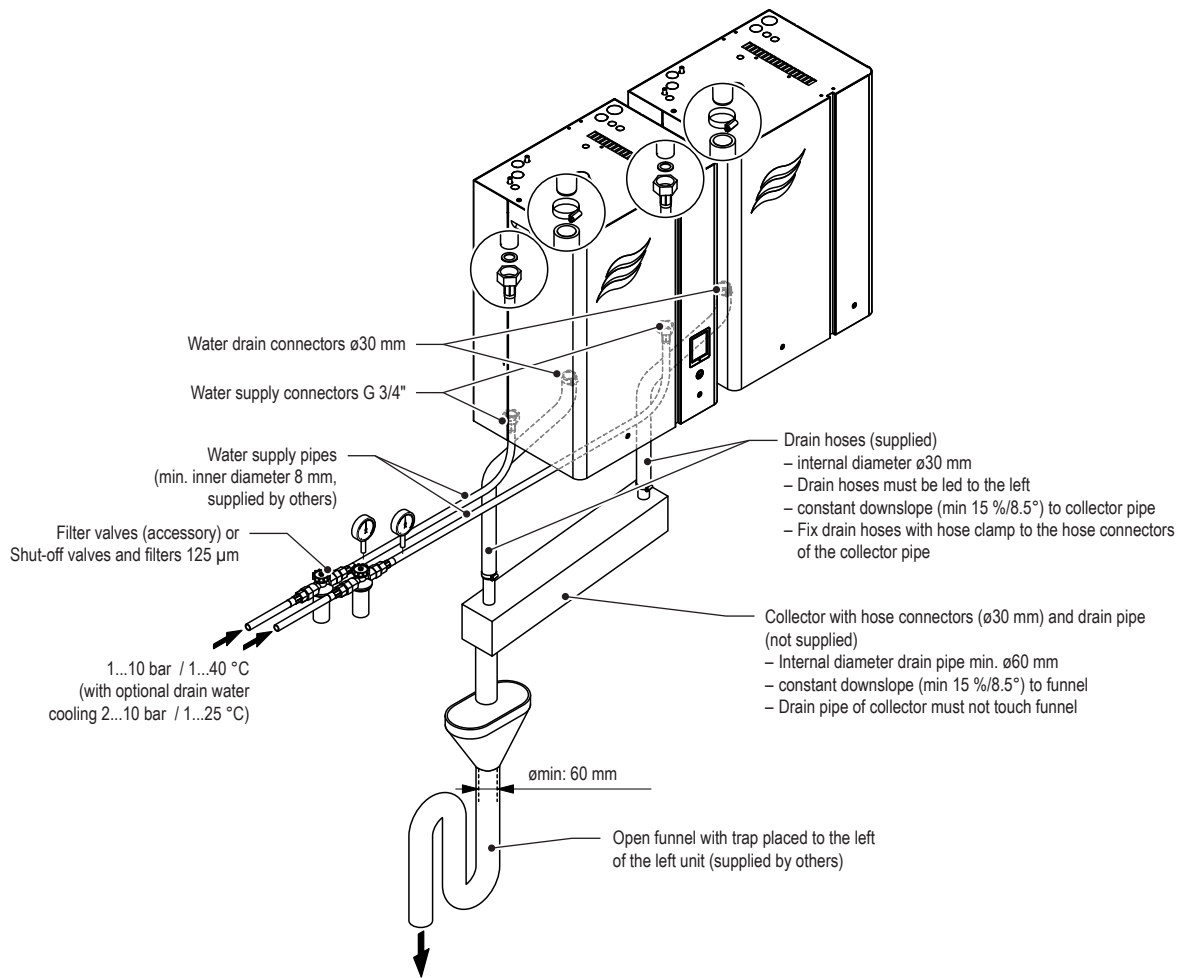


Fig. 21: Overview water installation for double units Medium ("M ")

5.5.2 Notes on water installation

Water supply

The water supply is to be carried out according to the figures found in [chapter 5.5.1](#) and the applicable local regulations for water installations. The indicated connection specifications must be observed.

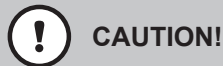
- The installation of the **filter valve** (accessory "Z261", alternatively a shut-off valve and a 125 µm water filter can be used) should be made as close as possible to the steam humidifier.

Note: on large units with two steam cylinders, on double units and on Linkup systems each unit must be connected separately via a filter valve (or shut-off valve and water filter) to the water supply.

- Admissible water supply pressure:
 - **1.0...10.0 bar** (units **without** drain water cooling)
 - **2.0...10.0 bar** (units **with** drain water cooling)

Note: the supply water system must be hammer-free. For mains pressures >10 bar, the connection must be made via a pressure reducing valve (adjusted to 2.0 bar). For mains pressures <1.0 bar (units **without** drain water cooling) <2.0 bar (units **with** drain water cooling) please contact your Condair supplier.

- **Notes on water quality:**
 - For the water supply of the Condair EL, use exclusively **untreated drinking water**.
 - The use of **additives** such as corrosion inhibitors, disinfectants, etc. is **not allowed**, since these additives may endanger health and affect proper operation.
 - If the Condair EL is to be operated with softened or partly softened water, please contact your Condair supplier.
- The connection material must be **pressure-proof** and **certified for use in drinking water systems**.
- The supply line(s) must be fastened with suitable means.
- **Important!** Before connecting the water line, **the supply water line must be well flushed out**.



The thread at the humidifier connection is made of plastic. To avoid overtightening, the union nut of the water pipe must be **tightened by hand** only.

Water drain

The water drain is to be carried out according to the figures found in [chapter 5.5.1](#) and the applicable local regulations for water installations. The indicated connection specifications must be observed.

- The draining temperature is: 80...90 °C (with optional drain water cooling <60°C). Use temperature-resistant installation materials only!
- Make sure that the drain pipes, the funnel(s) and the siphon(s) are correctly fixed and easily accessible for inspections and cleaning purposes.
- The draining temperature is: 80...90 °C (with optional drain water cooling <60°C). Use temperature-resistant installation materials only!
- Always lead the supplied drain hose from the connector to the left down to the funnel (see [Fig. 19](#)).

On large units with two steam cylinders each drain line must be led into a separate funnel with trap (see [Fig. 20](#)).

On double unit the drain hoses must be connected with hose clamps to a collector with constant downslope (min. 15 %/8.5°). The drain of the collector must be led with constant downslope (min. 15 %/8.5°) into a funnel with trap (see [Fig. 21](#)). The funnel must be positioned with a lateral off-set to the left side of the unit, to prevent damage to humidifier due to rising steam.

- Attach drain line(s) in such a way, that it/they cannot slip out of the funnel(s) and that it/they cannot bottom out in the funnel(s).
- The open end of the drain line(s) must not touch the funnel(s) (min. air gap 2 cm).

5.5.3 Inspecting the water installation

Check the following topics:

- Water supply
 - Has filter valve (accessory "Z261") or shut-off valve and 125 µm water filter respectively been installed in supply line to each unit module?
 - Has acceptable water pressure (without drain water cooling: 1 – 10 bar, with drain water cooling: 2 – 10 bar) and acceptable water temperature (without drain water cooling: 1 – 40 °C, with drain water cooling: 1 – 25 °C) been connected?
 - Does the water supply capacity match the humidifier and is the minimum inside diameter of 8 mm of the supply pipe maintained throughout the entire length (min. internal diameter of 12 mm for systems with optional drain water cooling recommended)?
 - Are all components and pipes properly secured and are all threaded connections securely tightened?
 - Is the water system properly sealed?
 - Does the water supply installation meet the requirements of the local regulations for water installations?
- Water drain
 - Is the minimum inside diameter of the drain pipe(s) of 30 mm maintained throughout the entire length?
 - Has/have drain pipe(s) been installed with a downslope of at least 15 %/8.5°?
 - Has the heat resistance of the material used been verified to be at least 100 °C (60 °C for systems with optional drain water cooling)?
 - Is/are the drain hose(s) properly secured (hose clamps at unit connection tightened)?
 - Is there an air gap (min 2 cm) between the open end of the drain line and the funnel?
 - Does the water drain installation meet the requirements of the local regulations for water installations?

5.6 Notes on humidity control systems/humidity control

5.6.1 System 1 – Room humidity control

System 1 is suited for **direct room humidification** and **air conditioning systems with mainly recirculated air**. The humidity sensor or humidistat respectively is preferably located in the room itself or in the exhaust air duct.

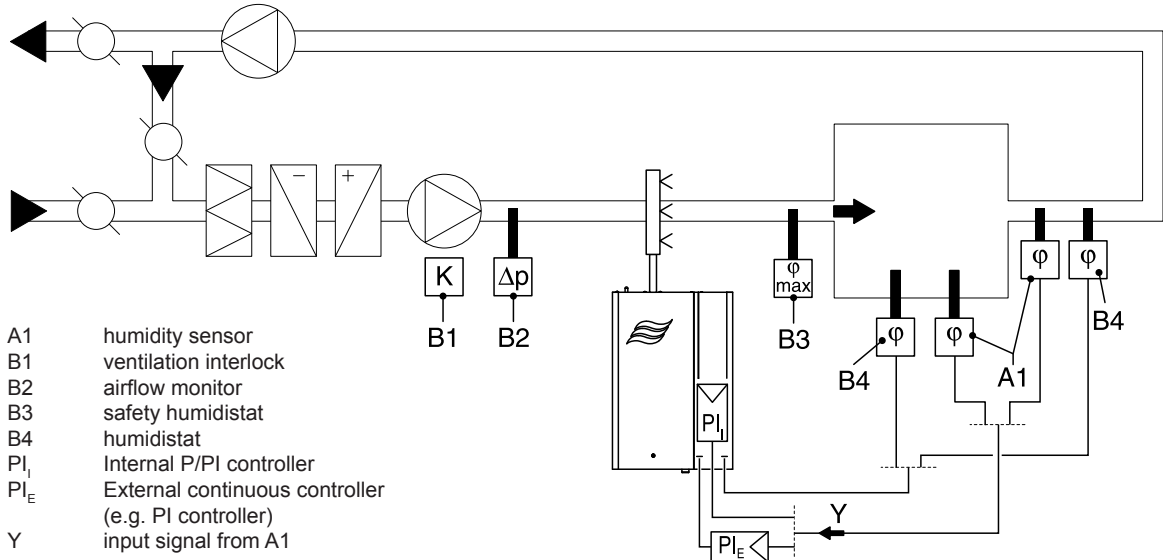


Fig. 22: System 1 – Room humidity control

5.6.2 System 2 – Room humidity control with continuous limitation of the supply air humidity

System 2 is suited for air conditioning systems with a **large portion of supply air, low supply air temperature, post-humidification, or variable airflow volume**. If the supply air humidity exceeds the preset value, the continuous limitation is effected prior to the room humidity control.

The humidity sensor (A1) is preferably located in the exhaust air duct or in the room itself. The humidity sensor (A4) for the limitation of the supply air humidity is located in the supply air duct after the steam distribution pipe. This control system requires a continuous controller with the option to connect a second humidity sensor.

Attention! The continuous limitation of the supply air humidity is no substitute for the safety humidistat.

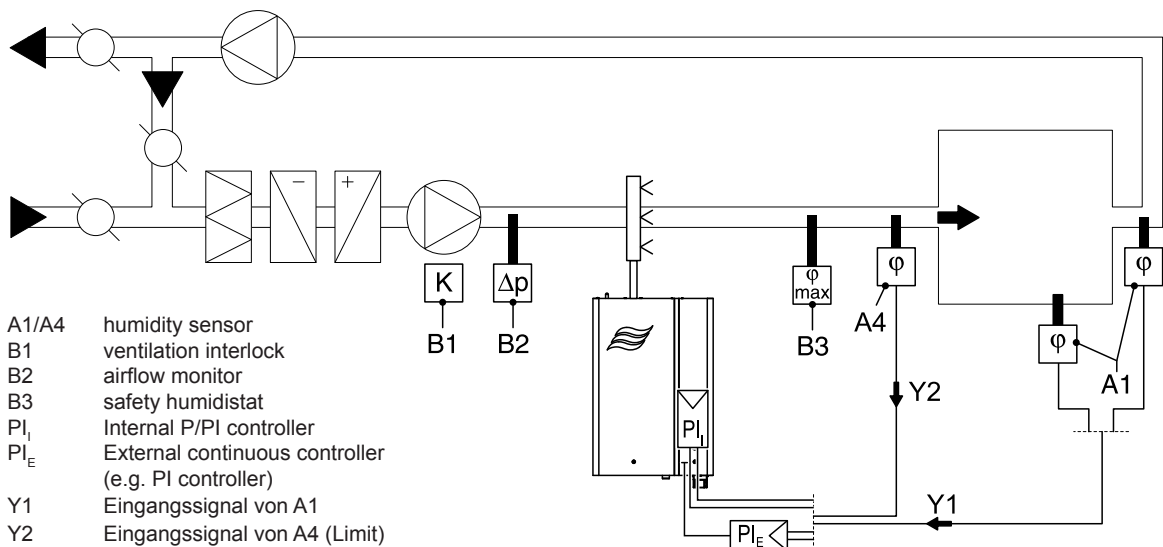


Fig. 23: System 2 – Room humidity control with continuous limitation of the supply air humidity

5.6.3 System 3 – Supply air humidity control with continuous output limitation

Supply air humidity control (humidity sensor installed in supply air duct) should be used only where room humidity control is impracticable for technical reasons. Such systems always require a PI-controller.

The humidity sensor (A1) is located in the supply air duct after the steam distribution pipe. The humidity sensor (A4) for the continuous output limitation is located in the supply air duct before the steam distribution pipe. Such a system requires a PI-controller with the option to connect a second humidity sensor.

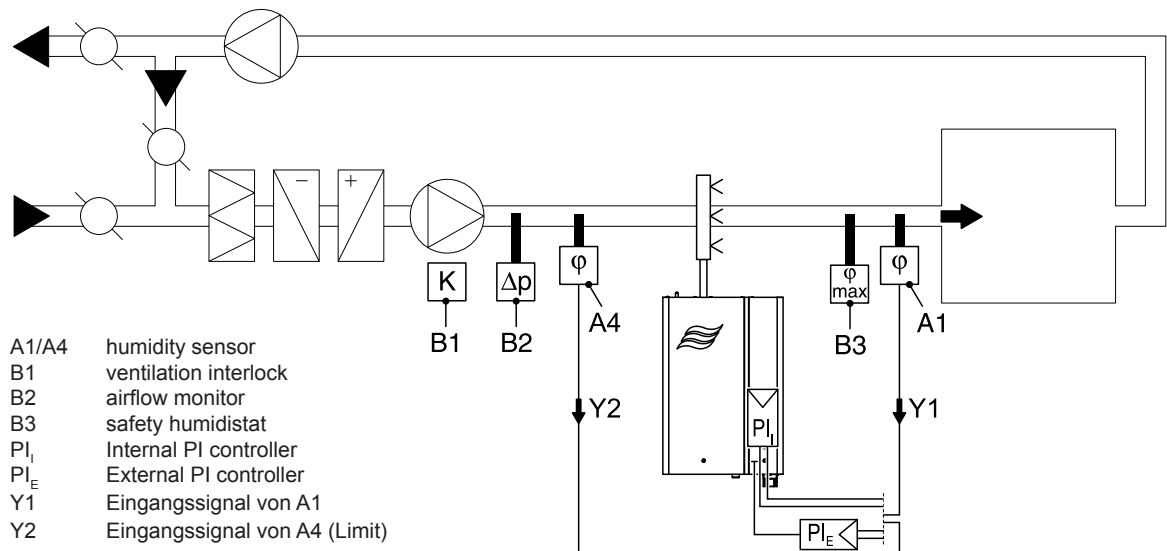


Fig. 24: System 3 – Supply air humidity control with continuous output limitation

5.6.4 Which humidity control system for which application

Application	Location of the humidity sensor	
	room or exhaust air duct	supply air duct
Air conditioning systems with:		
– supply air portion up to 33%	System 1	System 1
– supply air portion up to 66%	System 1 or 2	System 2 or 3
– supply air portion up to 100%	System 2	System 3
– supply air humidity control	—	System 3
Direct room humidification	System 1	—

Please contact your Condair supplier, if your application meets the following conditions:

- Humidification of small rooms up to 200 m³
- Air conditioning systems with a high number of air exchanges
- Systems with variable air volume flow
- Test facilities with extreme control accuracy requirements
- Rooms with a high variation in max. steam capacity
- Systems with temperature fluctuations
- Cold rooms and systems with dehumidification

5.6.5 Admissible control signals

Control with external controller Control signals	Control with internal PI controller Humidity sensor signals
0...5 VDC	0...5 VDC
1...5 VDC	1...5 VDC
0...10 VDC (Potentiometer 140 Ω ... 10 kΩ)	0...10 VDC (Potentiometer 140 Ω ... 10 kΩ)
2...10 VDC	2...10 VDC
0...20 VDC	0...20 VDC
0...16 VDC	0...16 VDC
3.2...16 VDC	3.2...16 VDC
0 ... 20 mA	0 ... 20 mA
4 ... 20 mA	4 ... 20 mA
Humidistat (24 V On/Off)	

5.7 Electrical installation

5.7.1 Notes on electrical installation



DANGER!
Danger of electric shock

The Condair EL is mains powered. Live parts may be exposed when the unit is open. Touching live parts may cause severe injury or danger to life.

Prevention: The Condair EL unit must be connected to the mains only after all mounting and installation work has been completed, all installations have been checked for correct workmanship and the covers are closed and fastened properly.

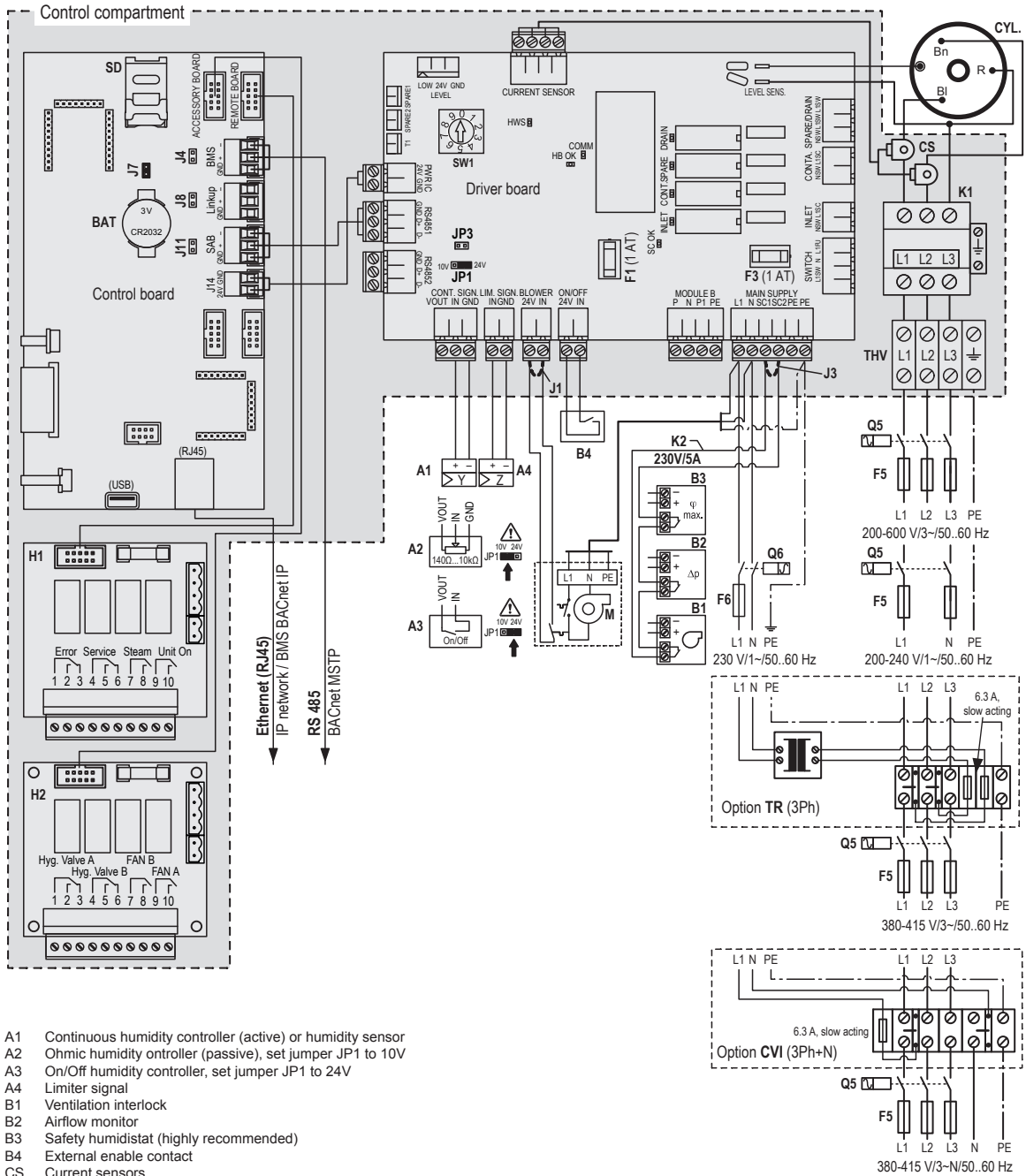


CAUTION!

The electronic components inside the unit are very sensitive to electrostatic discharge. Before carrying out installations work inside the unit, appropriate measures must be taken to protect the electronic components against damage caused by electrostatic discharge (ESD protection).

- All work concerning the electrical installation must be performed only by **skilled and qualified technical personnel (e.g. electrician with appropriate training) authorised by the owner**. It is the owner's responsibility to verify proper qualification of the personnel.
- The electrical installation must be carried out according to the corresponding wiring diagram (see [chapters 5.7.2/5.7.3/5.7.4/5.7.5](#)), the notes on electrical installation as well as the applicable local regulations. All information given in the wiring diagrams and notes must be followed and observed.
- All cables must be lead into the unit, via appropriate cable strain relief or grommets. The cable for the heating voltage supply must be lead into the unit from the bottom via the cable opening equipped with the clamp. Fix the cable with the clamp.
Note: On large units a multi-size knockout is provided for leading the heating voltage supply cable into the unit. Select a strain relief appropriate to size of heating cable being used and remove the appropriate knockout. Secure the strain relief securely to the housing.
- Make sure the cables are adequately clamped, do not rub on any components or become a tripping hazard.
- Observe and maintain maximum cable length and required cross section per wire according to local regulations.
- The mains supply voltages (heating and control voltage supply) must match the respective voltage stated on the specification label.

5.7.2 Wiring diagram Condair EL 5...45 - Single units "S" and "M"



- A1 Continuous humidity controller (active) or humidity sensor
- A2 Ohmic humidity controller (passive), set jumper JP1 to 10V
- A3 On/Off humidity controller, set jumper JP1 to 24V
- A4 Limiter signal
- B1 Ventilation interlock
- B2 Airflow monitor
- B3 Safety humidistat (highly recommended)
- B4 External enable contact
- CS Current sensors
- F1 Internal fuse driver board 24V supply (1 A, slow acting)
- F3 Internal fuse driver board 230V supply (1 A, slow acting)
- F5 External fuse heating voltage supply (see table in [chapter 6.1](#))
- F6 External fuse control voltage (max. 10 A, slow acting)
- H1 Remote operating and fault indication
- H2 Accessory board (option) for the control of an external fan of the AHU as well as the optional external valve for the water supply line flushing
- J1 Jumper wire, if blower pack safety loop is not connected
- J3 Jumper wire, if no monitoring devices are connected to SC1 and SC2
- J4 Jumper for activating the termination resistor for Modbus or BACnet MSTP network (Jumper must be connected, if the Condair EL is the first or the last unit in the network)
- J7 Jumper for activating Modbus or BACnet MSTP communication via RS485 interface (J6). If jumper is not in place no communication will take place through the RS485 interface.
- K1 Mains contactor (heating voltage) unit A/unit B
- K2 External safety circuit (230V/5A)
- M Motor blower pack
- Q5 External electrical isolator heating voltage supply
- Q6 External electrical isolator control voltage supply
- SW1 Rotary switch module identification (must be left on position "0" Module A)
- THV Terminals Heating voltage supply

Fig. 25: Wiring diagram Condair EL 5...45 - Single units "S" and "M"

5.7.3 Wiring diagram Condair EL 50...90 - Single units "L"

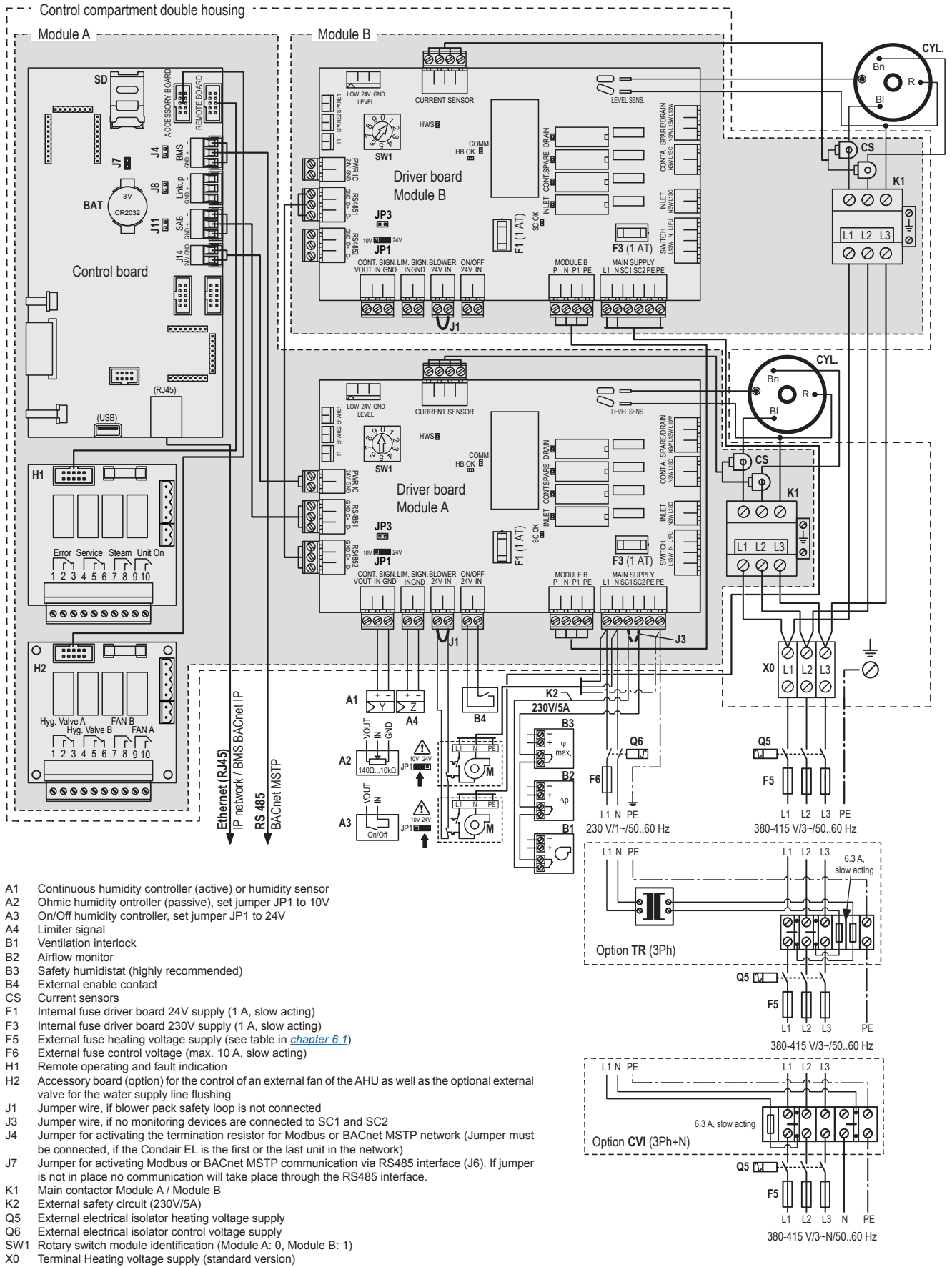


Fig. 26: Wiring diagram Condair EL 50...90 - Single units "L"

5.7.4 Wiring diagram Condair EL 35...90 - Double units 2 x "M"

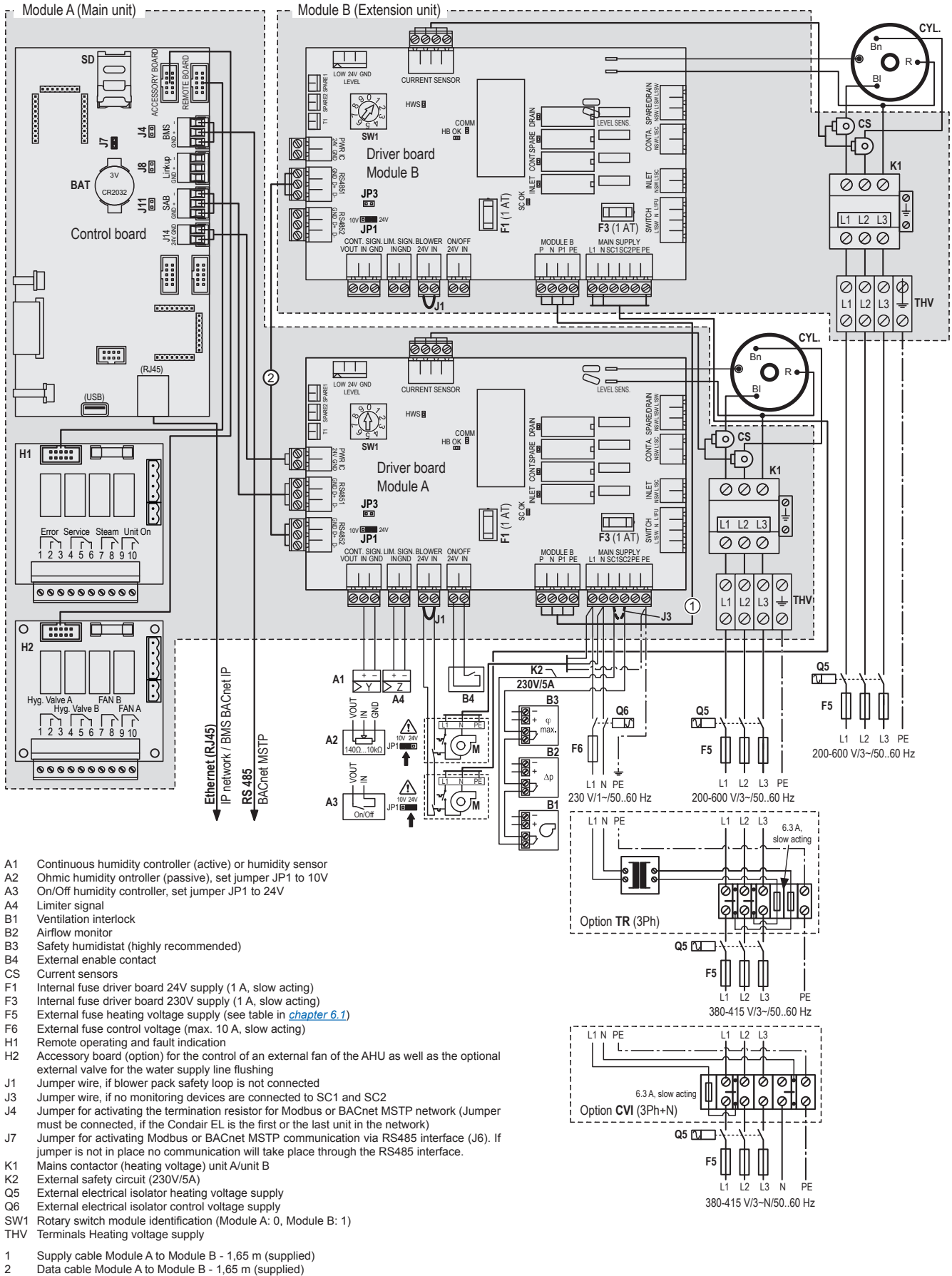


Fig. 27: Wiring diagram Condair EL 35...90 - Double units (2 x "M")

Legend

A1	Continuous humidity controller (active) or humidity sensor
A2	Ohmic humidity controller (passive), set jumper JP1 to 10V
A3	On/Off humidity controller, set jumper JP1 to 24V
A4	Limiter signal
B1	Ventilation interlock
B2	Airflow monitor
B3	Safety humidistat (highly recommended)
B4	External enable contact
CS	Current sensors
F1	Internal fuse driver board 24V supply (1 A, slow acting)
F3	Internal fuse driver board 230V supply (1 A, slow acting)
F5	External fuse heating voltage supply (see table in chapter 6.1)
F6	External fuse control voltage (max. 10 A, slow acting)
H1	Remote operating and fault indication
H2	Accessory board (option) for the control of an external fan of the AHU as well as the optional external valve for the water supply line flushing
J1	Jumper wire, if blower pack safety loop is not connected
J3	Jumper wire, if no monitoring devices are connected to SC1 and SC2
J4	Jumper for activating the termination resistor for Modbus or BACnet MSTP network (Jumper must be connected, if the Condair EL is the first or the last unit in the network)
J7	Jumper for activating Modbus or BACnet MSTP communication via RS485 interface (J6). If jumper is not in place no communication will take place through the RS485 interface.
J8	Termination Linkup system (Jumper must be connected, if the Condair EL is the first or the last unit in the Linkup system)
K1	Mains contactor (heating voltage) unit A/unit B
K2	External safety circuit (230V/5A)
Q5	External electrical isolator heating voltage supply
Q6	External electrical isolator control voltage supply
SW1	Rotary switch module identification (Module A: 0, Module B: 1)
THV	Terminals Heating voltage supply
1	Supply cable Module A to Module B - 1,65 m (supplied)
2	Data cable Module A to Module B - 1,65 m (supplied)
3	Linkup cable - 2,5 m (supplied)

5.7.6 Installation work external connections

Connecting the external safety chain

The potential-free contacts of external monitoring devices (e.g. ventilation interlock B1, airflow monitor B2, safety high limit humidistat B3, etc.) are connected in series (external safety chain "K2") to the terminals "SC1" and "SC2" on the driver board using a two-wire cable in accordance with the wiring diagram.

Note: The external monitoring devices are supplied with power using separate two-wire cables connected to the terminals "VOUT" and "GND" on the driver board or via an external 24V AC/DC voltage supply.

Detailed information on connecting the monitoring devices can be found in the separate instructions for these devices.

The connecting cables must be led through cable glands or grommets into the control compartment.

Caution! A high limit humidistat is highly recommended to prevent risk of over-humidification and potential damage to property.

Note: If, for whatever reason, no external monitoring devices are connected, a jumper wire "J3" must be installed on the contacts "SC1" and "SC2" of the terminal block.

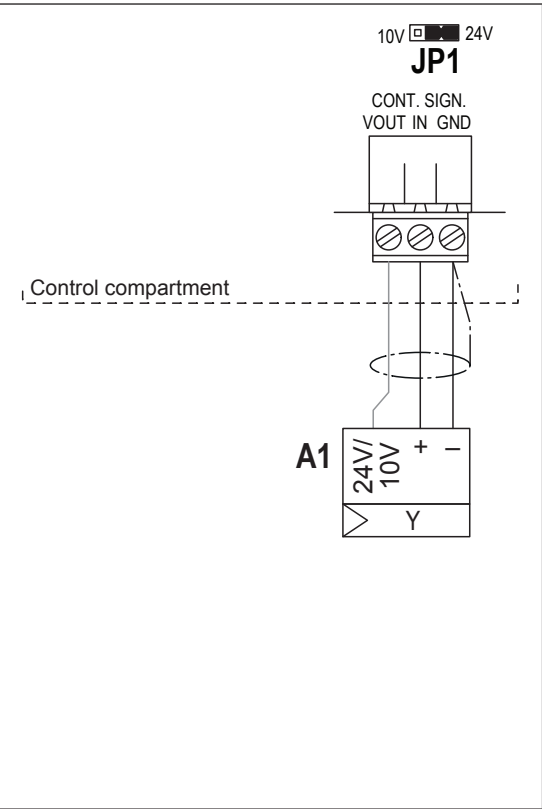
CAUTION! Do not apply any extraneous voltage to contacts "SC1" and "SC2" via the contacts of the external monitoring devices.

DANGER: 230 V

Do not apply extraneous voltage via K2!

Separate two-wire cables must be used to connect the potential-free contacts and the power supply of the monitoring devices!

Connecting the demand or humidity signal



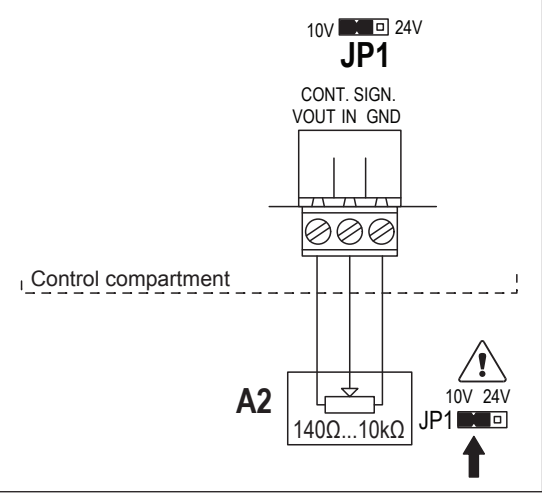
The signal cable of an external controller or of a humidity sensor (if the internal P/PI controller is used) is to be connected according to the wiring diagram to the terminals "IN" and "GND" on the driver board in the control compartment. The admissible signal values can be found in the technical data table in the operation manual. The connecting cable must be led through a cable gland or grommet into the control compartment.

Note: if the external controller or the humidity sensor shall be supplied with 10 V or 24 V from the driver board (terminal "A+"), the jumper JP1 must be set to 10V or 24V accordingly.

Note: The admissible humidity control signal values can be found in the technical data table in the operation manual.

If a shielded signal cable is used, connect the cable shield to terminal "GND".
Caution! If the signal cable shield is **already connected to a potential or a grounded conductor, do not** connect it to terminal "GND".

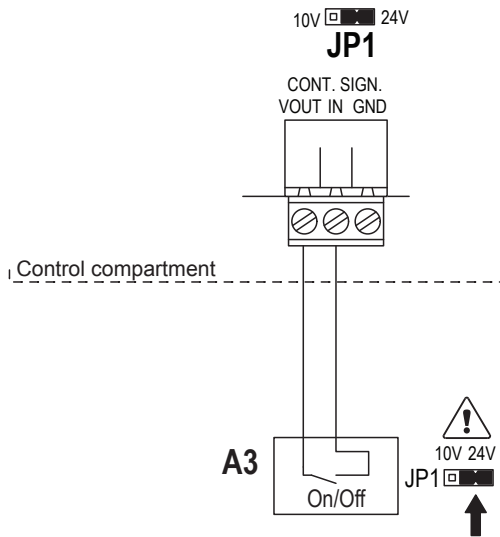
Ohmic humidity controller (passive)



The signal cable of an ohmic humidity controller (140Ω...10kΩ) is to be connected according to the wiring diagram to the terminals "VOUT", "IN" and "GND" on the driver board in the control compartment. The connecting cable must be led through a cable gland or grommet into the control compartment.

Note: when connecting an ohmic humidity controller Jumper "JP1" must be set to 10V and the control signal type must be set to 0-10V in the control settings of the control software.

24V On/Off humidistat

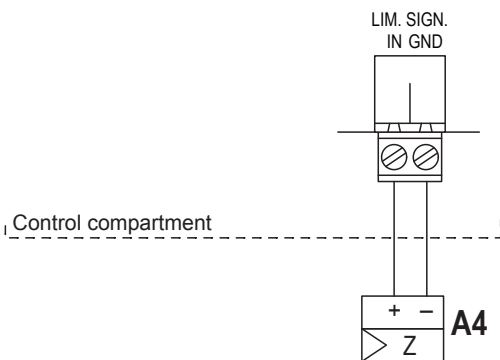


The signal cable of 24V On/Off humidistat is to be connected according to the wiring diagram to the terminals "VOUT" and "IN" on the driver board in the control compartment.

The connecting cable must be led through a cable gland or grommet into the control compartment.

Note: when connecting a 24V On/Off humidistat Jumper "JP1" must be set to 24V.

Limiter signal

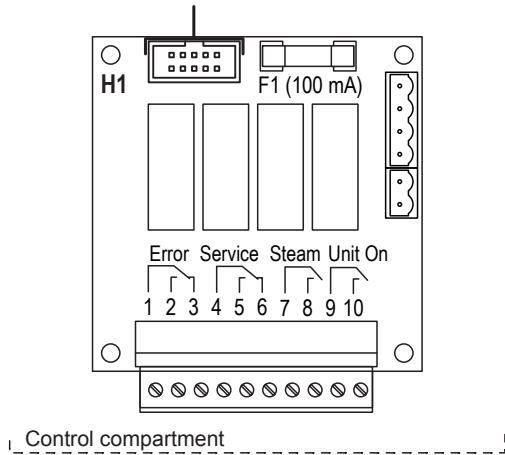


The signal cable of an external limiter is to be connected according to the wiring diagram to the terminals "IN" (+) and "GND" (-) on the driver board in the control compartment.

The connecting cable must be led through a cable gland or grommet into the control compartment.

Note: The limiter must be activated and configured via the control software. The admissible limiter signal values can be found in the technical data table in the operation manual.

Connecting the remote operating and fault indication



The remote operating and fault indication board contains four potential-free relay contacts for the connection of the following operating and fault indications:

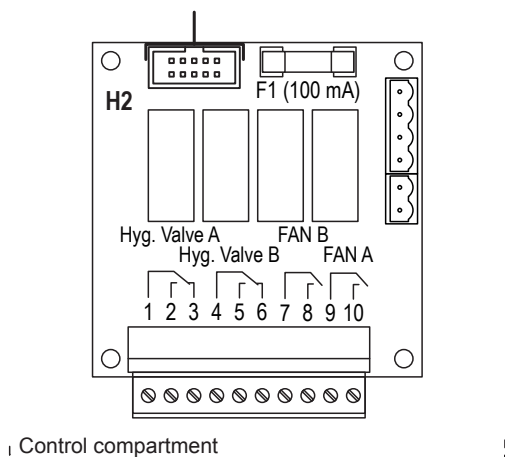
- "Error" (Terminal 1 and 2/3):
This relay is activated if an error is present.
- "Service" (Terminal 4 and 5/6):
This relay is activated when the set maintenance interval has elapsed.
Note: this relay can be configured in the control software to close either when maintenance is required or when maintenance is required and when a warning is indicated.
- "Steam" (Terminal 7 and 8):
This relay closes as soon as the Condair EL humidifies.
- "Unit on" (Terminal 9 and 10):
This relay closes as soon as the voltage supply to the Control compartment of the Condair EL is switched on.

The connecting cable must be led through a cable gland or grommet into the control compartment.

The **maximum contact loading** is **250V/8A**.

Appropriate suppressor modules are to be used for the switching of relays and miniature contactors.

Connecting the accessory board (Option)



The optional accessory board contains four potential-free relay contacts to activate external fans of the AHU and the optional valves for flushing the water supply lines:

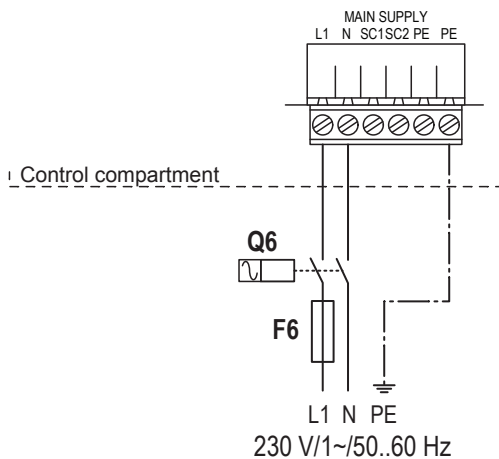
- "Hyg. Valve A" (Terminal 1 and 2/3):
This relay activates the optional valve for flushing the water supply line connected to module A.
- "Hyg. Valve B" (Terminal 4 and 5/6):
This relay activates the optional valve for flushing the water supply line connected to module B.
- "FAN B" (Terminal 7 and 8):
This relay activates an external fan of the AHU if module B is producing steam.
- "FAN A" (Terminal 9 and 10):
This relay activates an external fan of the AHU if module A is producing steam.

The connecting cable must be led through a cable gland or grommet into the control compartment.

The **maximum contact loading** is **250V/8A**.

Connecting the control voltage

Note: if the Condair EL is equipped with option "CVI" or "TR", a separate control voltage supply is not required.



The control voltage supply (L1, N, PE) is to be connected according to the wiring diagram to the corresponding terminals on the driver board in the control compartment.

The installation of the **fuse "F6"** (10A, slow acting) and the **electrical isolator "Q6"** (all pole disconnecting device with a minimum contact clearance of 3 mm, supplied by others) in the mains supply line are mandatory.

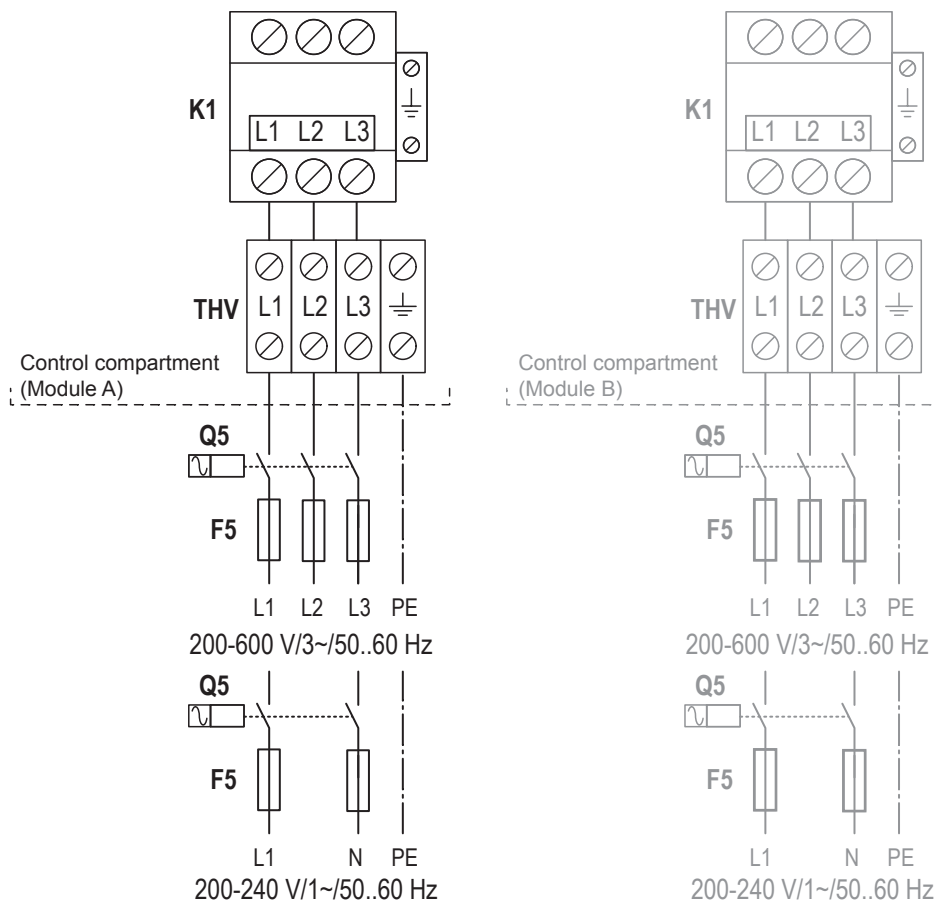
For safety reasons the additional installation of a residual current circuit breaker in the mains supply line (supplied by others) is recommended. However, the local electrical installation regulations must be observed and adhered to.

The electrical isolator must be mounted in direct proximity of the Control compartment (max. distance 1 m) and must be easily accessible in a height between 0.6 m and 1.9 m (recommended: 1.7 m).

CAUTION! Make sure the voltage indicated on the specification label meets the local mains voltage. Otherwise, do not connect the unit.

The cross-section of the cable must comply with the applicable local regulations (minimum of 1.5 mm²).

Connecting the heating voltage supply



The **heating voltage supply** (L1, L2, L3 and PE or L1, N and PE) is to be connected in accordance with the wiring diagram to the corresponding terminals of the terminal strip "THV" in the control compartment. The supply wiring is to be fed into the unit via the cable guide with clamp on the bottom of the unit.

Notes:

- Double units consisting of two housings have separate heating voltage supplies for each module (cylinder).
- Large units with two cylinders have a single heating voltage supply which is connected to terminal "X0" and from there branched to each of the two modules. On large units a multi-size knockout is provided for leading the voltage supply cable into the unit.

The installation of the **fuse F5**, the **electrical isolator "Q5"** (all pole disconnecting device with a minimum contact clearance of 3 mm, supplied by others) in the mains supply line are mandatory.

Note: a table with the values for the fuses "F5" is to be found in [chapter 6.1](#).

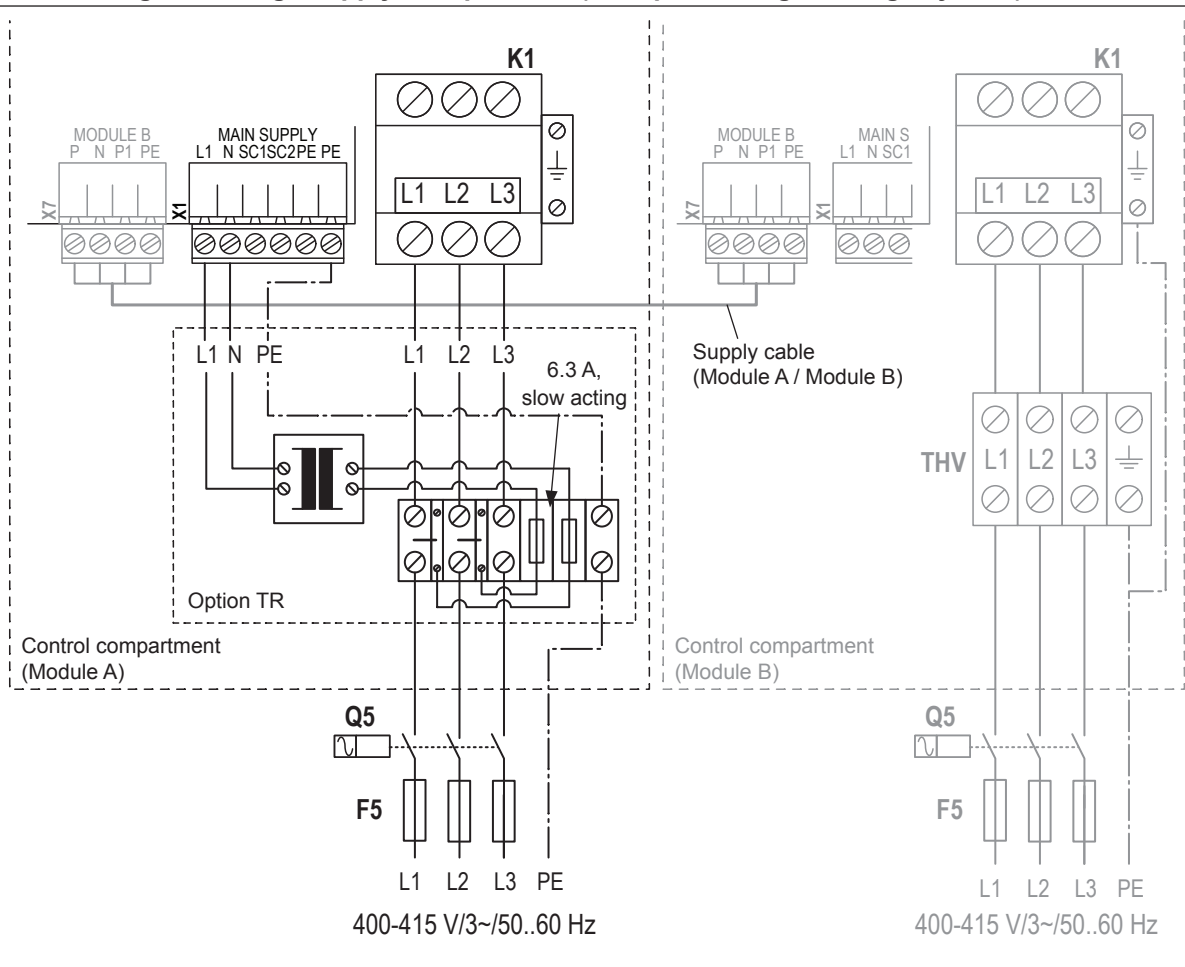
For safety reasons the additional installation of a residual current circuit breaker in the mains supply line (supplied by others) is recommended. However, the local electrical installation regulations must be observed and adhered to.

The electrical isolator must be mounted in direct proximity of the Control compartment (max. distance 1 m) and must be easily accessible in a height between 0.6 m and 1.9 m (recommended: 1.7 m).

CAUTION! Make sure the voltage indicated on the specification label meets the local mains voltage. Otherwise, do not connect the unit.

The cross-section of the mains cable must comply with the applicable local regulations.

Connecting the voltage supply via option TR (for 3 phase single voltage system)



The **voltage supply** (L1, L2, L3 and PE) is to be connected in accordance with the wiring diagram to the corresponding terminals of the option TR. The supply wiring is to be fed into the unit via the cable guide with clamp on the bottom of the unit (on large units a multi-size knockout is provided for leading the voltage supply cable into the unit).

Note: On double units consisting of two housings the heating voltage supply for module B is connected to the corresponding terminals of the terminal strip "THV" inside the control compartment of module B. The control voltage supply to module B is established via the supply cable connected to the terminal strips "X7" on the driver boards of module A and module B.

The installation of the **fuse F5**, the **electrical isolator "Q5"** (all pole disconnecting device with a minimum contact clearance of 3 mm, supplied by others) in the mains supply line are mandatory.

Note: a table with the values for the fuses "F5" is to be found in [chapter 6.1](#).

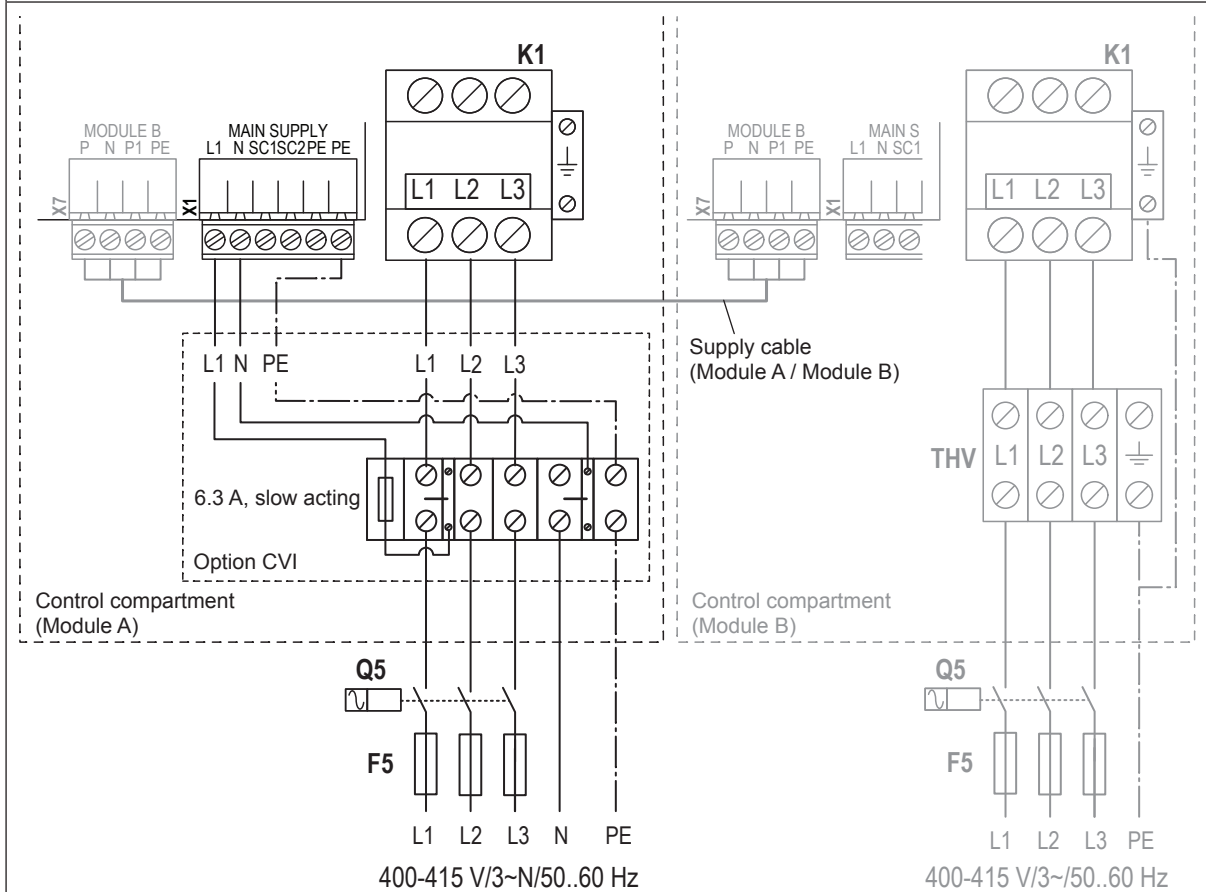
For safety reasons the additional installation of a residual current circuit breaker in the mains supply line (supplied by others) is recommended. However, the local electrical installation regulations must be observed and adhered to.

The electrical isolator must be mounted in direct proximity of the Control compartment (max. distance 1 m) and must be easily accessible in a height between 0.6 m and 1.9 m (recommended: 1.7 m).

CAUTION! Make sure the voltage indicated on the specification label meets the local mains voltage. Otherwise, do not connect the unit.

The cross-section of the mains cable must comply with the applicable local regulations.

Connecting the voltage supply via Option CVI (for 3 phase/neutral single voltage system)



The **voltage supply** (L1, L2, L3, N and PE) is to be connected in accordance with the wiring diagram to the corresponding terminals of the option CVI. The supply wiring is to be fed into the unit via the cable guide with clamp on the bottom of the unit (on large units a multi-size knockout is provided for leading the voltage supply cable into the unit).

Note: On double units consisting of two housings the heating voltage supply for module B is connected to the corresponding terminals of the terminal strip "THV" inside the control compartment of module B. The control voltage supply to module B is established via the supply cable connected to the terminal strips "X7" on the driver boards of module A and module B.

The installation of the **fuse F5**, the **electrical isolator "Q5"** (all pole disconnecting device with a minimum contact clearance of 3 mm, supplied by others) in the mains supply line are mandatory.

Note: a table with the values for the fuses "F5" is to be found in [chapter 6.1](#).

For safety reasons the additional installation of a residual current circuit breaker in the mains supply line (supplied by others) is recommended. However, the local electrical installation regulations must be observed and adhered to.

The electrical isolator must be mounted in direct proximity of the Control compartment (max. distance 1 m) and must be easily accessible in a height between 0.6 m and 1.9 m (recommended: 1.7 m).

CAUTION! Make sure the voltage indicated on the specification label meets the local mains voltage. Otherwise, do not connect the unit.

The cross-section of the mains cable must comply with the applicable local regulations.

Connecting the blower pack BP

See separate documentation for blower pack BP.

5.7.7 Inspecting the electrical installation

Check the following points:

- Do the supply voltages for heating and control voltage comply with the relevant voltages stated on the specification label?
- Are the voltage supplies (heating and control voltage) correctly fused?
- Are the service switches "Q.." installed in the supply lines for to the heating and control voltage?
- Are all components correctly connected according to the wiring diagram?
- Are all connecting cables fastened?
- Are the connecting cables free of tension (passed through cable glands?)
- Does the electric installation meet the applicable local regulations for electric installations?
- Is the unit reassembled correctly and the front panel fixed with the screw?

6 Product specification

6.1 Performance data / Fuses "F5" heating voltage supply

		Max. steam capacity in kg/h	Nominal power max. in kW	200 V/1~/50...60Hz			230 V/1~/50...60Hz			240 V/1~/50...60Hz			200 V/3~/50...60Hz			230 V/3~/50...60Hz			400 V/3~/50...60Hz		
				Nominal current max. in A	Cable cross section A _L min. in mm ²	Heating voltage fuse "F5" in A	Nominal current max. in A	Cable cross section A _L min. in mm ²	Heating voltage fuse "F5" in A	Nominal current max. in A	Cable cross section A _L min. in mm ²	Heating voltage fuse "F5" in A	Nominal current max. in A	Cable cross section A _L min. in mm ²	Heating voltage fuse "F5" in A	Nominal current max. in A	Cable cross section A _L min. in mm ²	Heating voltage fuse "F5" in A	Nominal current max. in A	Cable cross section A _L min. in mm ²	Heating voltage fuse "F5" in A
S	EL 5	5	3.8	19.0	4.0	25	16.3	2.5	20	16.3	2.5	20	10.9	1.5	3x 16	9.4	1.5	3x16	5.4	1.5	3x10
	EL 8	8	6.0	30.0	10.0	40	26.1	6.0	32	26.1	6.0	32	17.3	4.0	3x 25	15.0	2.5	3x20	8.6	1.5	3x10
	EL 10	10	7.5	-	-	-	32.6	10.0	40	32.6	10.0	40	21.7	4.0	3x 25	18.8	4.0	3x25	10.8	1.5	3x16
	EL 15	15	11.3	-	-	-	-	-	-	-	-	-	32.5	10.0	3x 40	28.2	10.0	3x40	16.2	2.5	3x20
M	EL 20	20	15.0	-	-	-	-	-	-	-	-	-	43.3	16.0	3x 63	37.7	16.0	3x63	21.7	4.0	3x25
	EL 24	24	18.0	-	-	-	-	-	-	-	-	-	52.0	16.0	3x 63	45.2	16.0	3x63	26.0	6.0	3x32
	EL 30	30	22.5	-	-	-	-	-	-	-	-	-	65.0	25.0	3x 80	56.5	25.0	3x80	32.5	10.0	3x40
	EL 35	35	26.3	-	-	-	-	-	-	-	-	-	-	-	-	-	-	-	37.9	16.0	3x63
	EL 40	40	30.0	-	-	-	-	-	-	-	-	-	-	-	-	-	-	-	43.3	16.0	3x63
	EL 45	45	33.8	-	-	-	-	-	-	-	-	-	-	-	-	-	-	-	48.7	16.0	3x63
2xM	EL 35	35	2x13.5	-	-	-	-	-	-	-	-	-	2x39.0	16.0	2x(3x63)	2x33.9	10.0	2x(3x40)	-	-	-
	EL 40	40	2x15.0	-	-	-	-	-	-	-	-	-	2x43.3	16.0	2x(3x63)	2x37.7	16.0	2x(3x63)	-	-	-
	EL 45	45	2x17.3	-	-	-	-	-	-	-	-	-	2x49.8	16.0	2x(3x63)	2x43.3	16.0	2x(3x63)	-	-	-
2xM / L ¹⁾	EL 50	50	2x18.8	-	-	-	-	-	-	-	-	-	2x54.1	16.0	2x(3x63)	2x47.1	16.0	2x(3x63)	2x27.1	6.0	2x(3x32)
	EL 60	60	2x22.5	-	-	-	-	-	-	-	-	-	2x65.0	25.0	2x(3x80)	2x56.5	25.0	2x(3x80)	2x32.5	10.0	2x(3x40)
	EL 70	70	2x26.3	-	-	-	-	-	-	-	-	-	-	-	-	-	-	-	2x37.9	16.0	2x(3x63)
	EL 80	80	2x30.0	-	-	-	-	-	-	-	-	-	-	-	-	-	-	-	2x43.3	16.0	2x(3x63)
	EL 90	90	2x33.8	-	-	-	-	-	-	-	-	-	-	-	-	-	-	-	2x48.7	16.0	2x(3x63)
L	EL 50	50	37.5	-	-	-	-	-	-	-	-	-	-	-	-	-	-	-	54.1	16.0	3x63
	EL 60	60	45.0	-	-	-	-	-	-	-	-	-	-	-	-	-	-	-	65.0	25.0	3x80
	EL 70	70	52.5	-	-	-	-	-	-	-	-	-	-	-	-	-	-	-	75.8	35.0	3x100
	EL 80	80	60.0	-	-	-	-	-	-	-	-	-	-	-	-	-	-	-	86.6	35.0	3x100
	EL 90	90	67.5	-	-	-	-	-	-	-	-	-	-	-	-	-	-	-	97.4	50.0	3x125
3xM	EL 70	70	3x18.0	-	-	-	-	-	-	-	-	-	-	-	-	3x45.2	16.0	3x(3x63)	-	-	-
	EL 80	80	3x20.3	-	-	-	-	-	-	-	-	-	-	-	-	3x50.8	16.0	3x(3x63)	-	-	-
	EL 90	90	3x22.5	-	-	-	-	-	-	-	-	-	-	-	-	3x56.5	25.0	3x(3x80)	-	-	-
	EL 105	105	3x26.3	-	-	-	-	-	-	-	-	-	-	-	-	-	-	-	3x37.9	16.0	3x(3x63)
	EL 120	120	3x30.0	-	-	-	-	-	-	-	-	-	-	-	-	-	-	-	3x43.3	16.0	3x(3x63)
	EL 135	135	3x33.8	-	-	-	-	-	-	-	-	-	-	-	-	-	-	-	3x48.7	16.0	3x(3x63)
4xM	EL 105	105	4x20.3	-	-	-	-	-	-	-	-	-	-	-	-	4x50.8	16.0	4x(3x63)	-	-	-
	EL 120	120	4x22.5	-	-	-	-	-	-	-	-	-	-	-	-	4x56.5	25.0	4x(3x80)	-	-	-
	EL 152	152	4x28.5	-	-	-	-	-	-	-	-	-	-	-	-	-	-	-	4x41.1	16.0	4x(3x63)
	EL 160	160	4x30.0	-	-	-	-	-	-	-	-	-	-	-	-	-	-	-	4x43.3	16.0	4x(3x63)
	EL 180	180	4x33.8	-	-	-	-	-	-	-	-	-	-	-	-	-	-	-	4x48.7	16.0	4x(3x63)

¹⁾ Only for "L" units if they are connected with two separate heating voltage supply lines.

				415V/3~/50...60 Hz			440V/3~/50...60 Hz			460V/3~/50...60 Hz			480V/3~/50...60 Hz			500V/3~/50...60 Hz			600V/3~/50...60 Hz		
		Max. steam capacity in kg/h	Nominal power max. in kW	Nominal current max. in A	Cable cross section A _L min. in mm ²	Heating voltage fuse "F5" in A	Nominal current max. in A	Cable cross section A _L min. in mm ²	Heating voltage fuse "F5" in A	Nominal current max. in A	Cable cross section A _L min. in mm ²	Heating voltage fuse "F5" in A	Nominal current max. in A	Cable cross section A _L min. in mm ²	Heating voltage fuse "F5" in A	Nominal current max. in A	Cable cross section A _L min. in mm ²	Heating voltage fuse "F5" in A	Nominal current max. in A	Cable cross section A _L min. in mm ²	Heating voltage fuse "F5" in A
S	EL 5	5	3.8	5.2	1.0	3x10	4.9	1.0	3x6	4.7	1.0	3x6	4.5	1.0	3x6	4.3	1.0	3x6	3.6	1.0	3x6
	EL 8	8	6.0	8.3	1.5	3x10	7.9	1.5	3x10	7.5	1.5	3x10	7.2	1.5	3x10	6.9	1.5	3x10	5.8	1.5	3x10
	EL 10	10	7.5	10.4	1.5	3x16	9.8	1.5	3x16	9.4	1.5	3x16	9.0	1.5	3x16	8.7	1.5	3x10	7.2	1.5	3x10
	EL 15	15	11.3	15.7	2.5	3x20	14.8	2.5	3x20	14.1	2.5	3x20	13.5	1.5	3x16	13.0	1.5	3x16	10.8	1.5	3x16
M	EL 20	20	15.0	20.9	4.0	3x25	19.7	4.0	3x25	18.8	4.0	3x25	18.0	4.0	3x25	17.3	2.5	3x20	14.4	2.5	3x20
	EL 24	24	18.0	25.0	6.0	3x32	23.6	6.0	3x32	22.6	6.0	3x32	21.7	4.0	3x25	20.8	4.0	3x25	17.3	2.5	3x20
	EL 30	30	22.5	31.3	10.0	3x40	29.5	10.0	3x40	28.2	10.0	3x40	27.1	6.0	3x32	26.0	6.0	3x32	21.7	4.0	3x25
	EL 35	35	26.3	36.5	16.0	3x63	34.4	10.0	3x40	32.9	10.0	3x40	31.6	10.0	3x40	30.3	7.0	3x35	25.3	6.0	3x32
	EL 40	40	30.0	41.7	16.0	3x63	39.4	16.0	3x63	37.7	16.0	3x63	36.1	16.0	3x63	34.6	10.0	3x40	28.9	10.0	3x40
	EL 45	45	33.8	47.0	16.0	3x63	44.3	16.0	3x63	42.4	16.0	3x63	40.6	16.0	3x63	39.0	16.0	3x63	32.5	10.0	3x40
2xM	EL 35	35	2x13.5	-	-	-	-	-	-	-	-	-	-	-	-	-	-	-	-	-	-
	EL 40	40	2x15.0	-	-	-	-	-	-	-	-	-	-	-	-	-	-	-	-	-	-
	EL 45	45	2x17.3	-	-	-	-	-	-	-	-	-	-	-	-	-	-	-	-	-	-
2xM / L ¹⁾	EL 50	50	2x18.8	2x26.1	6.0	2x(3x32)	2x24.6	6.0	2x(3x32)	2x23.5	6.0	2x(3x32)	2x22.6	6.0	2x(3x32)	2x21.7	4.0	2x(3x25)	2x18.0	4.0	2x(3x25)
	EL 60	60	2x22.5	2x31.3	10.0	2x(3x40)	2x29.5	10.0	2x(3x40)	2x28.2	10.0	2x(3x40)	2x27.1	6.0	2x(3x32)	2x26.0	6.0	2x(3x32)	2x21.7	4.0	2x(3x25)
	EL 70	70	2x26.3	2x36.5	16.0	2x(3x63)	2x34.4	10.0	2x(3x40)	2x32.9	10.0	2x(3x40)	2x31.6	10.0	2x(3x40)	2x30.3	10.0	2x(3x40)	2x25.3	6.0	2x(3x32)
	EL 80	80	2x30.0	2x41.7	16.0	2x(3x63)	2x39.4	16.0	2x(3x63)	2x37.7	16.0	2x(3x63)	2x36.1	16.0	2x(3x63)	2x34.6	10.0	2x(3x40)	2x28.9	10.0	2x(3x40)
	EL 90	90	2x33.8	2x47.0	16.0	2x(3x63)	2x44.3	16.0	2x(3x63)	2x42.4	16.0	2x(3x63)	2x40.6	16.0	2x(3x63)	2x39.0	16.0	3x(3x63)	2x32.5	10.0	2x(3x40)
L	EL 50	50	37.5	52.1	16.0	3x63	-	-	-	-	-	-	-	-	-	-	-	-	-	-	-
	EL 60	60	45.0	62.6	25.0	3x80	-	-	-	-	-	-	-	-	-	-	-	-	-	-	-
	EL 70	70	52.5	73.0	35.0	3x100	-	-	-	-	-	-	-	-	-	-	-	-	-	-	-
	EL 80	80	60.0	83.5	35.0	3x100	-	-	-	-	-	-	-	-	-	-	-	-	-	-	-
	EL 90	90	67.5	93.9	50.0	3x125	-	-	-	-	-	-	-	-	-	-	-	-	-	-	-
3xM	EL 70	70	3x18.0	-	-	-	-	-	-	-	-	-	-	-	-	-	-	-	-	-	-
	EL 80	80	3x20.3	-	-	-	-	-	-	-	-	-	-	-	-	-	-	-	-	-	-
	EL 90	90	3x22.5	-	-	-	-	-	-	-	-	-	-	-	-	-	-	-	-	-	-
	EL 105	105	3x26.3	3x36.5	16.0	3x(3x63)	-	-	-	-	-	-	-	-	-	-	-	-	-	-	-
	EL 120	120	3x30.0	3x41.7	16.0	3x(3x63)	-	-	-	-	-	-	-	-	-	-	-	-	-	-	-
	EL 135	135	3x33.8	3x47.0	16.0	3x(3x63)	-	-	-	-	-	-	-	-	-	-	-	-	-	-	-
4xM	EL 105	105	4x20.3	-	-	-	-	-	-	-	-	-	-	-	-	-	-	-	-	-	-
	EL 120	120	4x22.5	-	-	-	-	-	-	-	-	-	-	-	-	-	-	-	-	-	-
	EL 152	152	4x28.5	4x39.6	16.0	4x(3x63)	-	-	-	-	-	-	-	-	-	-	-	-	-	-	-
	EL 160	160	4x30.0	4x41.7	16.0	4x(3x63)	-	-	-	-	-	-	-	-	-	-	-	-	-	-	-
	EL 180	180	4x33.8	4x47.0	16.0	4x(3x63)	-	-	-	-	-	-	-	-	-	-	-	-	-	-	-

¹⁾ Only for "L" units if they are connected with two separate heating voltage supply lines.

6.2 Operating data

Control steam output	
– active	0...5 VDC, 1...5 VDC, 0...10 VDC, 2...10 VDC, 0...20 VDC, 0...16 VDC, 3.2...16 VDC, 0...20 mADC, 4...20 mADC
– passive	all potentiometric humidity sensors from 140 Ω...10 kΩ
– On/Off control	<2.5 VDC --> Off; ≥2.5 VDC...20 VDC --> On
Duct air pressure	-1.0 kPa to 1.5 kPa; upto 10.0 kPa with optional overpressure kit
Admissible ambient temperature	1...40 °C
Admissible ambient humidity	1...75 %rh (non-condensing)
Water supply	
– Admissible water supply pressure	1...10 bar (with optional drain water cooling 2...10 bar)
– Admissible Feed temperature	1...40 °C (with optional drain water cooling 1...25 °C)
– Water quality	Untreated drinking water with a conductivity of 125 to 1250 μS/cm)
Water drain	
– Drain water temperature	80...90 °C (with optional drain water cooling <60 °C)
Protection class	IP21

6.3 Connections/Dimensions/Weights

Water supply connector	G 3/4"
Water drain connector	ø30 mm
Steam connector	ø45.0 mm
Housing dimensions	
– Small unit (S) - H x W x D	670 mm x 420 mm x 370 mm
– Medium unit (M) - H x W x D	780 mm x 530 mm x 406 mm
– Large unit (L) - H x W x D	780 mm x 1000 mm x 406 mm
Unit weights	
– Small unit (S) - Net weight/operating weight	24.1 kg / 34.1 kg
– Medium unit (M) - Net weight/operating weight	35.5 kg / 58.6 kg
– Large unit (L) - Net weight/operating weight	57.3 kg / 105.0 kg

6.4 Certificates

Certificates	CE, VDE
--------------	---------

7 Appendix

7.1 Unit dimensions

7.1.1 Unit dimensions Condair EL 5 - 15, unit size "S"

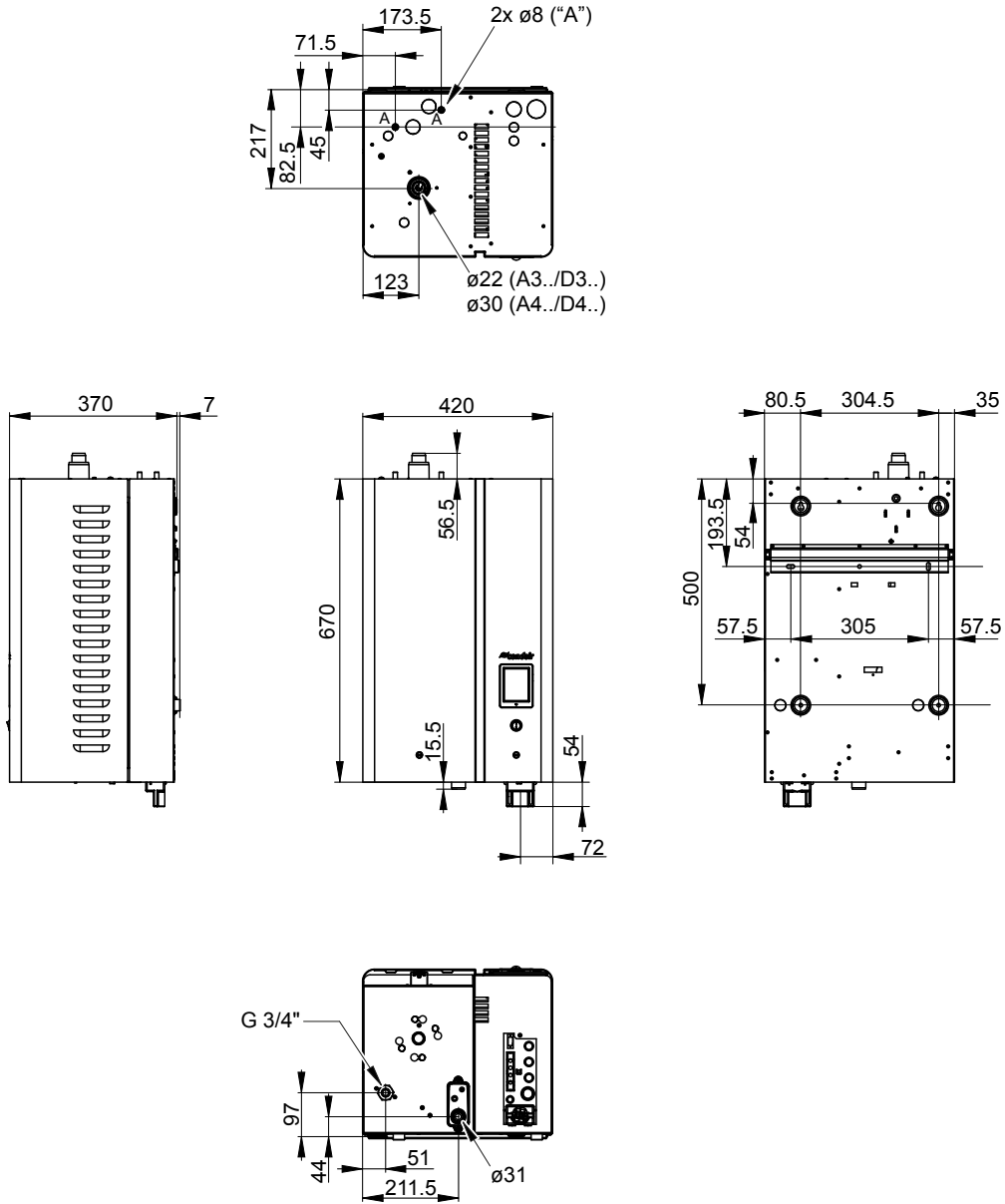


Fig. 29: Unit dimensions Condair EL 5 - 15, unit size "S" (dimensions in mm)

7.1.2 Unit dimensions Condair EL 20 - 45 and 35 - 180, unit size "M"

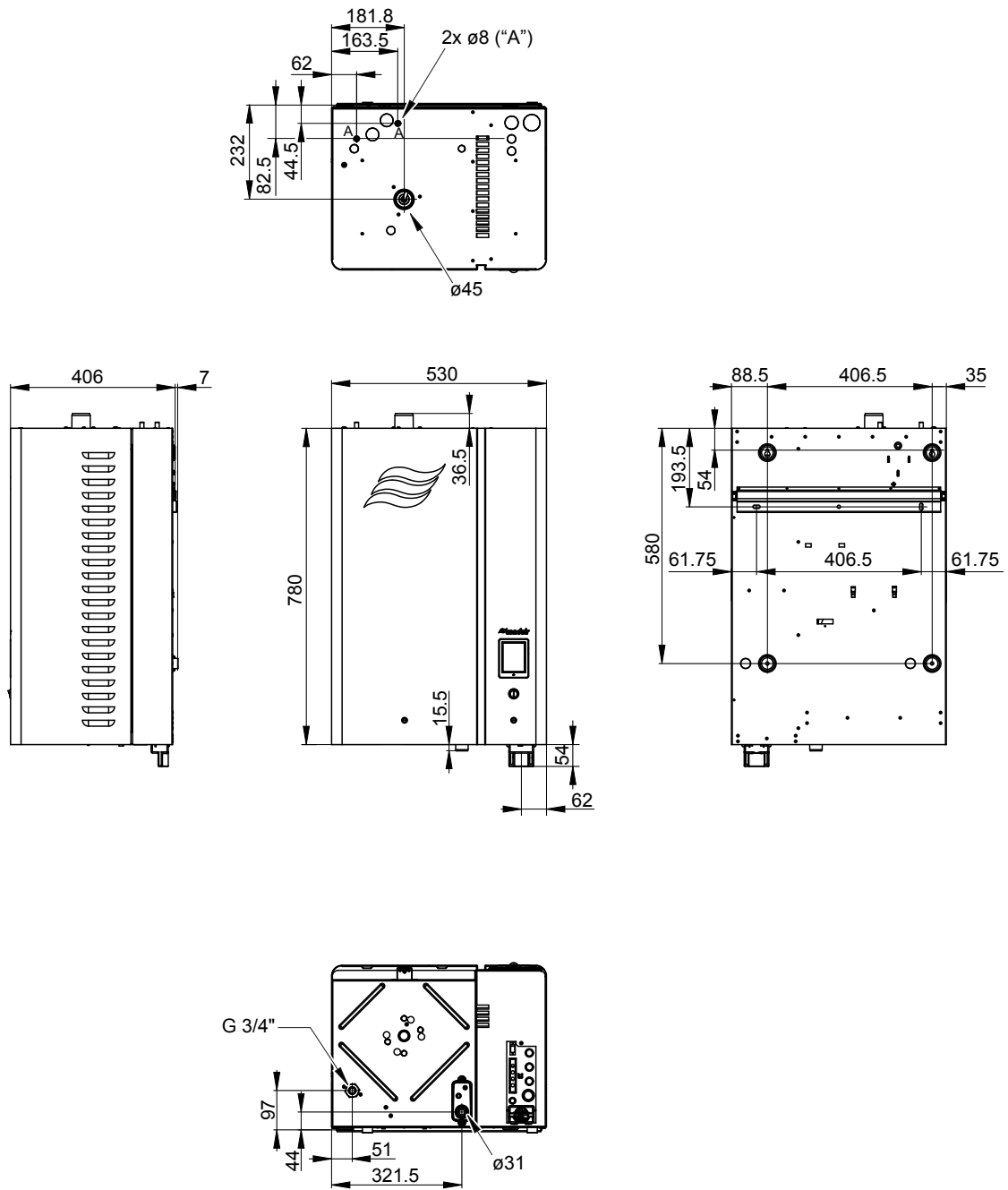


Fig. 30: Unit dimensions Condair EL 20 - 45 and 35 - 180, unit size "M" (dimensions in mm)

7.1.3 Unit dimensions Condair EL 50 - 90, unit size "L"

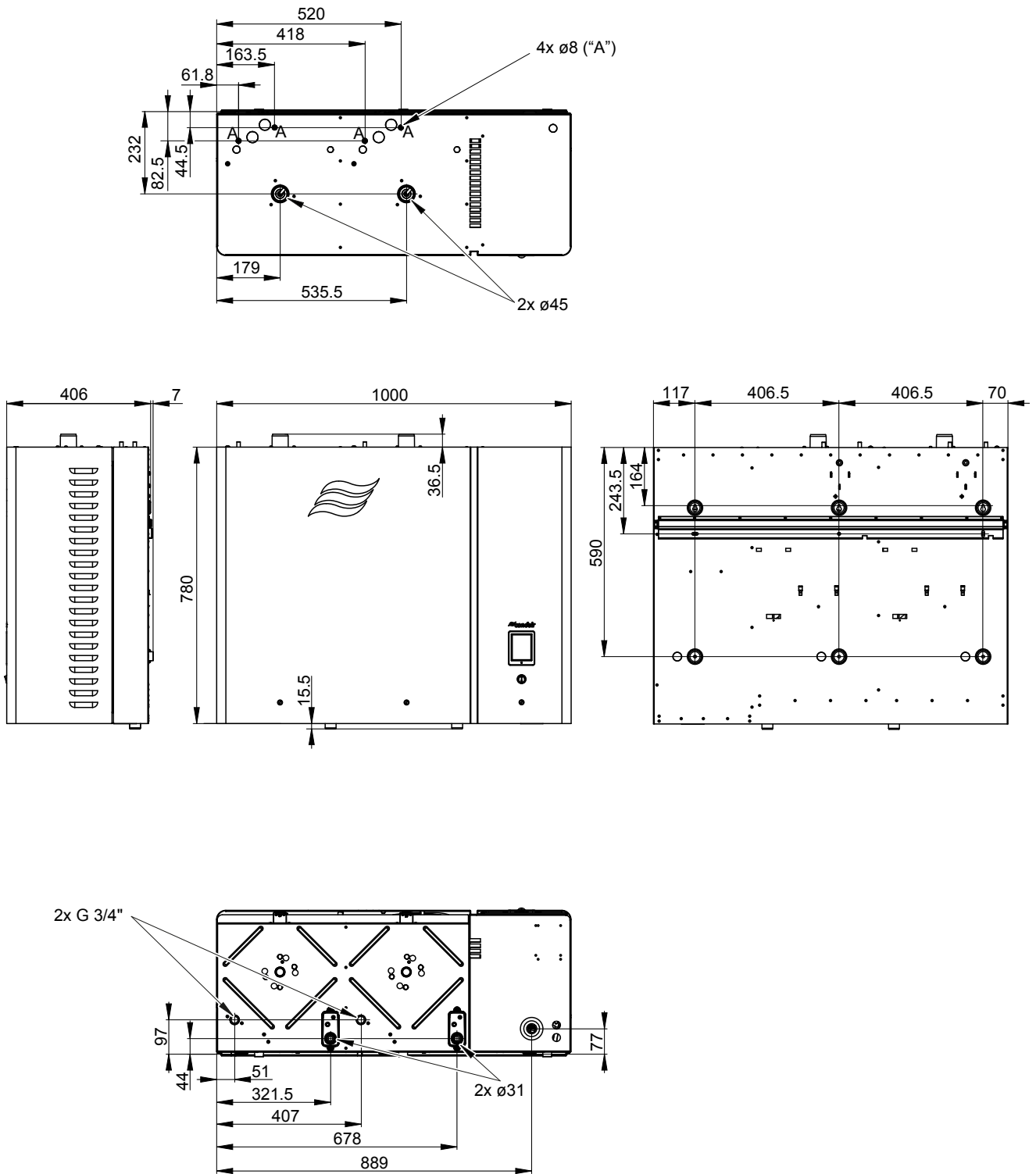


Fig. 31: Unit dimensions Condair EL 50 - 90, unit size "L" (dimensions in mm)

7.2 EC Declaration of conformity



EC

Konformitätserklärung

Declaration of conformity

Déclaration de conformité

Wir,
Condair Group AG
CH-8808 Pfäffikon SZ
erklären in alleiniger Verantwortung,
dass das Produkt

We,
Condair Group AG
CH-8808 Pfäffikon SZ
declare under our sole responsibility, that
the product

Nous,
Condair Group AG
CH-8808 Pfäffikon SZ
déclarons sous notre seule
responsabilité, que le produit

Condair EL

auf das sich diese Erklärung bezieht,
mit den folgenden Normen oder
normativen Dokumenten
übereinstimmt

to which this declaration relates is in
conformity with the following standards or
other normative standards

auquel se réfère cette déclaration est
conforme aux normes ou autres
documents normatifs

EN 61000-6-2
EN 61000-6-3
EN 60335-1
EN 60335-2-98
EN 62233

und den Bestimmungen der folgenden
Richtlinien entspricht

and is corresponding to the following
provisions of directives

et est conforme aux dispositions des
directives suivantes

2014 / 35 / EU
2014 / 30 / EU

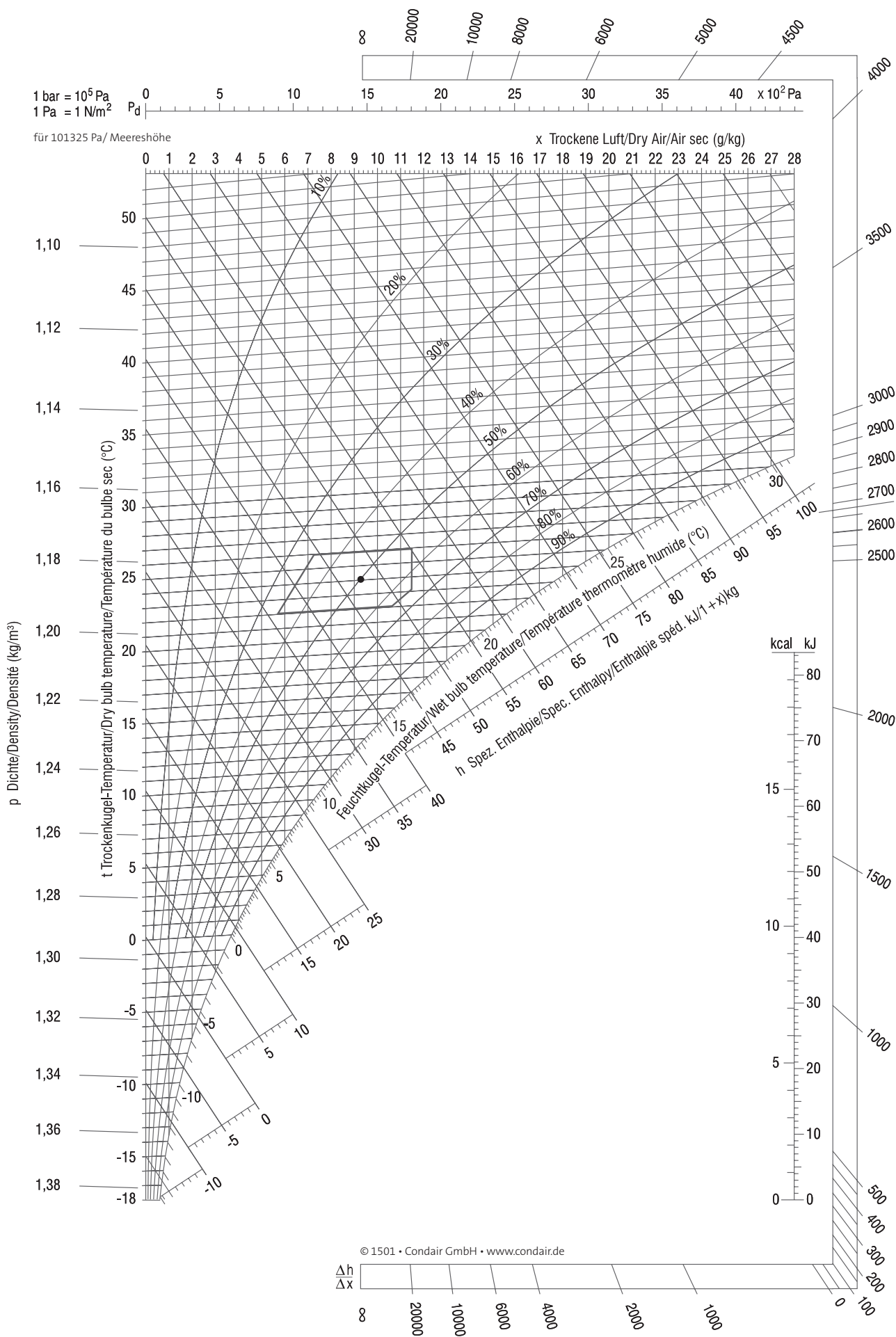
2582480 DE/EN/FR 1905

Pfäffikon, May 01, 2019

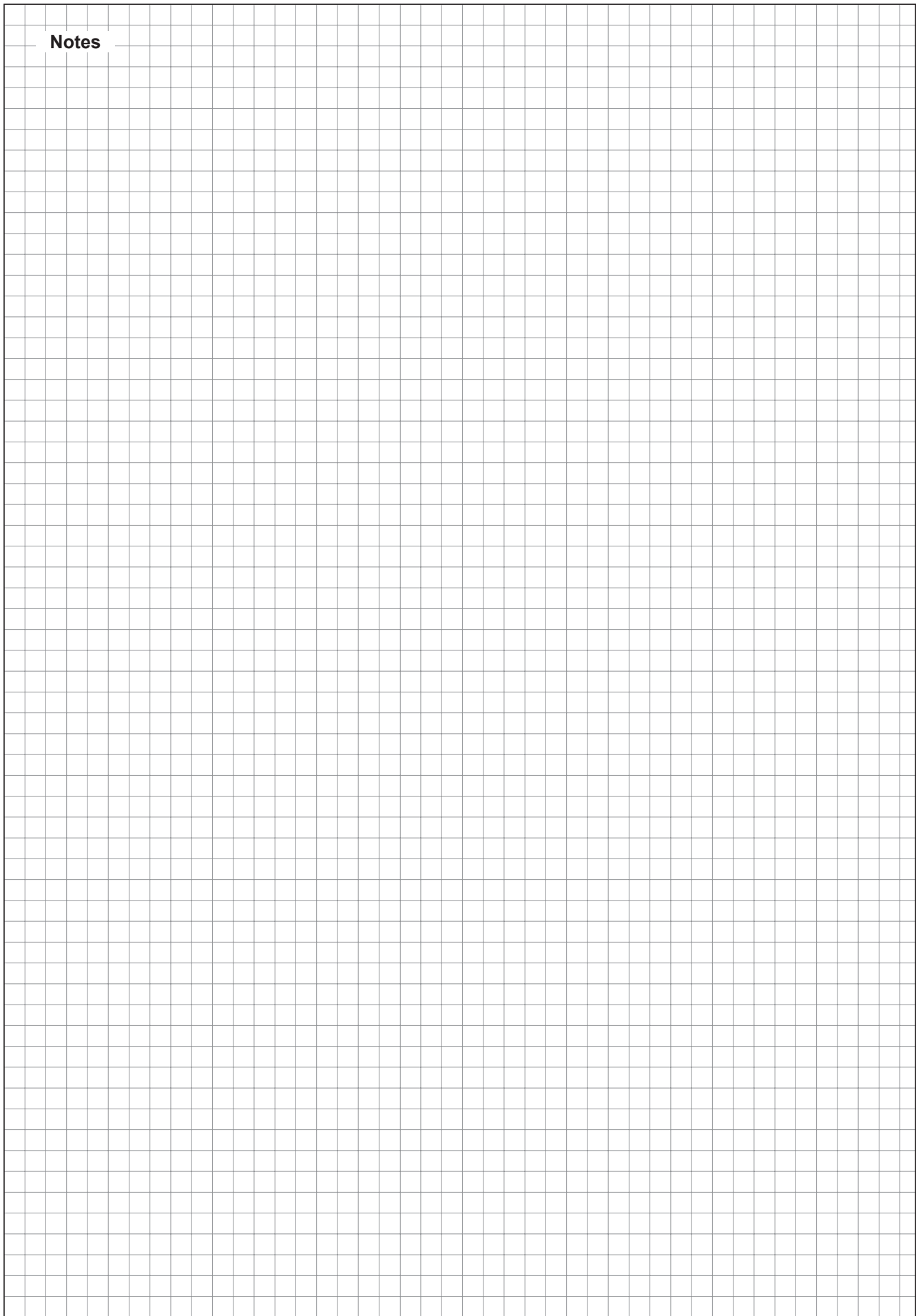
Condair Group AG

Robert Merki
Head of Engineering

Condair Group AG
Gwattstrasse 17
8808 Pfäffikon, Switzerland
Tel. +41 55 416 61 11, Fax +41 55 588 00 07
info@condair.com, www.condair-group.com



Notes



CONSULTING, SALES AND SERVICE:



CH94/0002.00

Condair Group AG
Gwattstrasse 17, 8808 Pfäffikon SZ, Switzerland
Phone +41 55 416 61 11, Fax +41 55 588 00 07
info@condair.com, www.condairgroup.com

The Condair logo, consisting of a stylized wave symbol to the left of the word 'condair' in a bold, lowercase, sans-serif font.